



Mobile Shower Commode Chairs

Raz-AT600 (Z360)

User and Dealer Manual



Advena Ltd. Tower Business Centre,
2nd Flr., Tower Street,
Swatar, BKR 4013 Malta



BASIC UDI-DI: 628758RAZDESIGNINC2004V9

SAFETY PRECAUTIONS

Failure to comply may cause injury or damage!

It is important that the Raz Mobile Shower Commode Chair be properly assembled and that all adjustments be made carefully. Please ensure that the user(s), dealer(s) and attendant(s) have read this manual and thoroughly understood the safe operation of the Raz Shower Chair. Up-to-date manuals are available online at www.razdesigninc.com. For clarification of any section of this manual, contact your distributor or the manufacturer.



MANUFACTURER
 U.S.A. AND WORLDWIDE
 Raz Design Inc.
 135 Railside Rd, Toronto, ON, Canada M3A 1B7
 1.877720.5678 / 416.751.5678
info@razdesigninc.com



DISTRIBUTOR
 CANADA
 Dynamic Health Care Solutions
 Mono, Ontario, Canada
 519.942.8441 / 866.875.2877
info@dynamichcs.com

CHAIR CLASSIFICATION BASED ON MAXIMUM USER WEIGHT	
AT600	275 kg (605 lbs)

SAFETY WARNINGS TO CONSIDER FOR USER PURPOSES

THIS DEVICE IS SUITABLE FOR TYPE A; HIGH USAGE (e.g. INSTITUTIONS) AND SHOULD NEVER BE USED FOR ANY PURPOSE OTHER THAN ORIGINALLY INTENDED

Forward Stability

The casters on all models are equipped with dual locks. The step-on lever activates both the roll lock and the swivel lock. ***It is essential that all casters on the shower chair be in an outward position before engaging the locks for optimal forward and lateral stability.*** If so equipped, disengage the optional directional caster lock before rotating the rear caster to the rearward position and applying the caster's dual-locks.



USERS MUST NOT lean forward while sitting in the Raz Mobile Shower Commode Chair as this may cause the chair to tip forward.

USERS MUST NOT wheel down a ramp without an attendant who can hold onto the chair during the descent.

CASTER LOCKS ARE NOT BRAKES! Never use caster locks to slow down the shower chair when descending inclines as this could cause the chair to tip in the direction of travel.

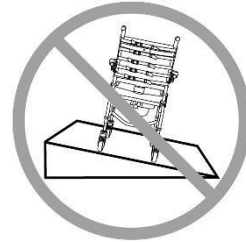


Lateral Stability

USERS MUST NOT lean over the edge of a Raz Mobile Shower Commode Chair as this could cause the chair to tip.

USERS MUST NOT attempt to pick up objects from the floor by leaning over and reaching – use a reacher or ask for assistance from an attendant.

USERS MUST NOT position the Raz Mobile Shower Commode Chair on a side slope as this could cause it to tip.



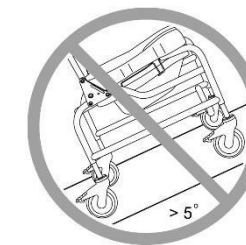
Ramps and Other Inclines

Ramps and other surfaces that are not level (such as slopes into wheel- in showers) must be tested with an attendant to ensure that they don't compromise the chair's stability. A qualified healthcare professional should be consulted to assist with this process.

DO NOT push or pull the Raz-AT600 up or down an incline or ramp that exceeds a 1:12 grade (5° slope).

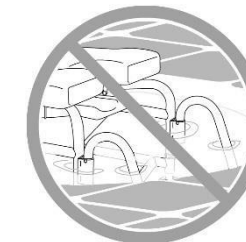
DO NOT allow any user to be propelled (pushed or pulled) in a Raz-AT600 in any other manner than by an attendant.

ALWAYS CHECK THAT THE RAZ-AT600 IS STABLE BEFORE IT IS OCCUPIED BY ANY USER AT ANY TIME.



Immersion

The Raz Mobile Shower Commode Chair is not designed to be used as a pool chair. Do not immerse the shower chair in whole or in part, in water or any other liquid. Immersion may result in damage to the shower chair.



Chlorine Exposure

Suitable for use in wet areas, but not pools and similarly corrosive environments.

DO NOT store the device near pools because chlorine in the air will cause the device to rust.

Transfers

The most dangerous part of using any shower chair is the transfer. Since every chair has different stability characteristics, it is essential to carefully review and test the transfer technique to ensure that the procedure is safe. Test transfers should be performed with an attendant who can prevent the chair from tipping or moving during the transfer. If you feel that the transfers cannot be repeatedly performed safely, contact a healthcare professional who is familiar with transfer techniques and options. Individuals who have not learned proper transfer skills must seek assistance during transfers and may require the use of a mechanical lift.



CASTERS SHOWN IN OUTWARD POSITION

Transferring onto a Raz-AT600

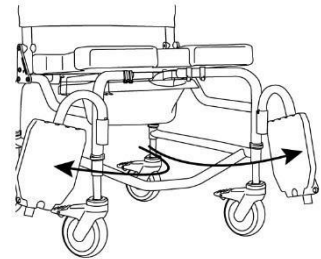
ALWAYS lock all four casters in an outward position (front casters positioned in the forward position/rear casters positioned to the rear) for maximum chair stability.

Transfers should never be attempted with the shower chair positioned on slippery surfaces. It is recommended that transfers be performed on clean, dry, non-slippery surfaces. Hard surface flooring such as tile, wood or concrete may not provide sufficient grip to keep locked casters and/or rear wheels from sliding. A fully-carpeted surface is optimal. Be aware that area rugs and shower mats can slide on floors and thereby present a hazardous surface.



DO NOT stand on any part of the frame of the Raz-AT600.

NEVER use the footplates to assist in transfers. This could cause the chair to tip. The footrests should be swung to the side or removed entirely during transfers to provide unobstructed access to the shower chair.



Tilt Function

ALWAYS check the tilt function and ensure both locking gas springs and release cable assemblies are fully operational **BEFORE** the chair is occupied by the user.

A pelvic strap can act as an additional safeguard for the user. A pelvic support strap may be ordered as an option with the Raz-AT600.

DO NOT attempt to tilt an occupant if the attendant is physically incapable of safely and smoothly operating the tilt function.

NEVER leave the user unattended in a Raz-AT600.

The Raz-AT600 **is NOT** intended for use as a transportation device or a long-term seating system.

IMPORTANT !

USERS SHOULD NEVER BE LEFT UNATTENDED IN A RAZ MOBILE SHOWER COMMODE CHAIR.

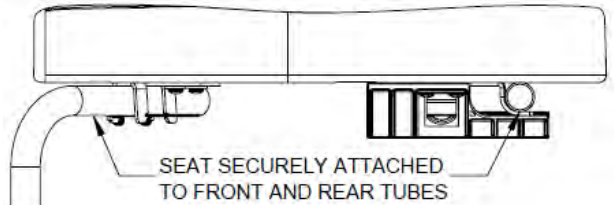
IMPORTANT !

DO NOT LIFT A RAZ MOBILE SHOWER COMMUNE CHAIR AND OCCUPANT BY THE ARMRESTS OR FOOTRESTS!

IMPORTANT !

ALWAYS BE SURE THAT THE SEAT IS PROPERLY INSTALLED AND LATCHED. THE REAR HOOKS MUST BE FULLY ENGAGED AND THE FRONT BRACKETS MUST BE LATCHED AND LOCKED AROUND THE FRONT SEAT SUPPORT TUBES.

BE SURE THAT WHEN THE CHAIR IS DELIVERED TO THE CLIENT, SEAT INSTALLATION INSTRUCTION IS GIVEN TO THE CLIENT AND/OR CAREGIVERS.



IMPORTANT !

THE RAZ-AT600 IS INTENDED FOR FOLLOWING USE:

- **AS AN AID FOR SHOWERING/BATING, GOING TO THE TOILET, AND FOR OTHER ACTIVITIES ASSOCIATED WITH PERSONAL CARE AND PERSONAL HYGIENE;**
- **TO PROVIDE SUPPORT FOR THE BODY OF THE USER IN A SEATED OR RECLINED POSITION;**
- **WITH OR WITHOUT THE ASSISTANCE FROM A CAREGIVER;**
- **OVER A STANDARD TOILET, OR AS A COMMUNE WITH THE COMMUNE PAN;**
- **IN INDOOR ENVIRONMENTS ONLY;**
- **IN BOTH TYPE A, HIGH USAGE (e.g. INSTITUTIONAL) ENVIRONMENTS AND IN HOME ENVIRONMENTS**

THE RAZ-AT600 DOES NOT PERFORM ANY THERAPEUTIC OR DIAGNOSTIC FUNCTIONS, AND ARE NOT INTENDED FOR USE FOR ANY THERAPEUTIC OR DIAGNOSTIC PURPOSES. ALL PRODUCTS WITHIN THE RAZ FAMILY ARE NON-STERILE, REUSABLE, NON-INVASIVE, AND NON-IMPLANTABLE.

THE RAZ-AP AND RAZ-SP IS INTENDED TO BE USED BY PEOPLE WITH MOBILITY IMPAIRMENTS, WHO MAY HAVE DIFFICULTY IN STANDING OR KEEPING THEIR BALANCE WHILE COMPLETING ACTIVITIES SUCH AS SHOWERING, GOING TO THE TOILET, OR PERSONAL HYGIENE. TYPICAL USERS HAVE LIMITED ENDURANCE AND POSTURAL CONTROL, AND MAY REQUIRE ASSISTANCE FROM A CAREGIVER FOR ACTIVITIES SUCH AS SHOWERING, GOING TO THE TOILET, OR PERSONAL HYGIENE. FOR PRODUCTS WITH RECLINE FUNCTION, USE OF THE RECLINE FUNCTION MAY BE CONTRA-INDICATED WHERE THE USER IS SENSITIVE TO SHEARING FORCES ON SEATED SURFACES WHEN OPENING THE SEAT-TO BACK-ANGLE

CAUTION !

RISK OF BURNING YOUR SKIN

THE PRODUCT COMPONENTS CAN HEAT UP WHEN EXPOSED TO EXTERNAL SOURCES OF HEAT.

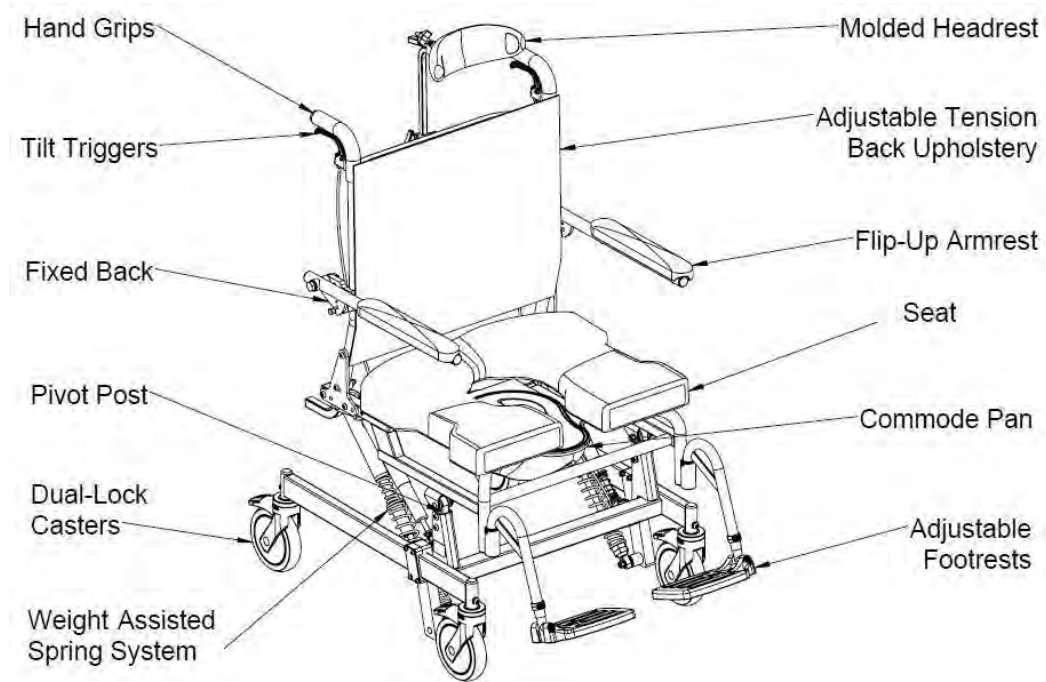
- **CONSIDER HEATED UP SURFACES WHEN USING THE SHOWER AND TOILET CHAIR WHEN IT IS EXPOSED TO HOT WATER**
- **DO NOT EXPOSE THE PRODUCT TO DIRECT SUNLIGHT BEFORE USE**

USER & DEALER MANUAL TABLE OF CONTENTS

1.0	GENERAL INFORMATION	
1.1	Raz-AT600 Mobile Shower Commode Chair Overview.....	8
1.2	Raz-AT600 Mobile Shower Commode Chair Specifications	8
2.0	SET-UP: INTENDED FOR DEALER USE ONLY	
2.1	Caster Installation.....	9
2.2	Back Support Installation.....	9
2.3	Raz Seat Installation.....	10
2.4	Adjustable Footrest Installation.....	10
2.5	Fastener Installation	10
3.0	ADJUSTMENTS: INTENDED FOR DEALER USE ONLY	
3.1	Back Support Adjustment	11
3.1.1	Back Support Angle Adjustment.....	11
3.1.2	Adjustable-Tension Back Upholstery Adjustment.....	11
3.2	Molded Seat Adjustment.....	11
3.2.1	Molded Seat Depth Adjustment.....	11
3.2.2	Molded Seat Height Adjustment.....	12
3.3	Molded Headrest Adjustment.....	12
3.4	Adjustable Footrest Adjustment.....	12
3.5	Weight Assisted Spring System (WASS) Adjustment.....	13
4.0	USE AND OPERATION	
4.1	Tilt Function.....	14
4.2	Multi-Position Back Support.....	14
4.3	Adjustable-Tension Back Upholstery	15
4.4	Molded Seat	15
4.5	Molded Headrest	16
4.6	Adjustable Footrests.....	17
4.7	Casters.....	17
4.8	Tilt-Assist Pedal.....	17
4.9	Commode Pan.....	18
5.0	CLEANING AND MAINTENANCE	
5.1	Cleaning After Each Use	19
5.1.1	Commode Pan.....	19
5.1.2	Molded Seat.....	19
5.2	Cleaning As Needed.....	19
5.2.1	Adjustable-Tension Back Upholstery.....	19
5.2.2	Frame, Armrests, Adjustable Footrests, and Other Components.....	19
5.3	Suggested Cleaning Products	19
6.0	LIMITED WARRANTY	20
7.0	CONTACTS	21

1.0 GENERAL INFORMATION

1.1 Raz-AT600 Mobile Shower Commode Chair Overview



1.2 Raz-AT600 Mobile Shower Commode Chair Specifications

SPECIFICATIONS	Raz-AT600
WEIGHT CAPACITY	275 kg (605 lbs)
FRAME WIDTH (seat and back frames)	22" (56 cm)
OVERALL WIDTH	26.5" (67 cm)
OVERALL LENGTH (with footrests)	39" (99 cm)
SEAT WIDTH (commode seat)	22" (56 cm)
SEAT DEPTH (front of back post to front of seat)	18" (46 cm)
CLEARANCE HEIGHT with pan brackets: without pan brackets:	18"-19" (43-48.5 cm) 18.75"-19.75" (47.5-50 cm)
ARMREST HEIGHT ABOVE SEAT	9.5" (24cm)
SEAT-TO-FLOOR HEIGHT	21.75" and 22.75" (55 cm and 58 cm)
PRODUCT WEIGHT (with footrests)	84 lbs (38 kg)
FRAME AND HARDWARE MATERIAL	Stainless Steel (Lifetime warranty against corrosion)
MINIMUM TURNING CIRCLE	45" (114 cm)

2.0 SET-UP: INTENDED FOR DEALER USE ONLY

2.1 Caster Installation

The Raz-AT600 chairs are shipped with casters not installed. Please follow the instructions below for caster installation.

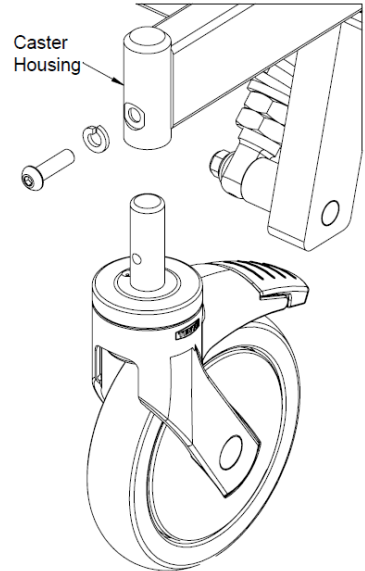
Tool required: 6mm hex key

1. Insert caster stem into caster housing on the base frame.
2. Align the threaded hole in the caster stem with the hole in the caster housing.

3. Insert a M8-1.25x30mm long button head screw through the M8 split lock washer and into the hole on the caster housing.

NOTE: Ensure each M8 screw has medium strength thread locker solution on its threads before using.

4. Thread the M8 screw through the caster housing and into the caster stem.
5. Continue to thread the M8 screw until the split lock washer is completely flat and the M8 screw is tight.
6. Repeat steps 1 to 5 until all four casters are secured in place.



2.2 Back Support Installation

Tools required: 6mm hex key, 13mm wrench

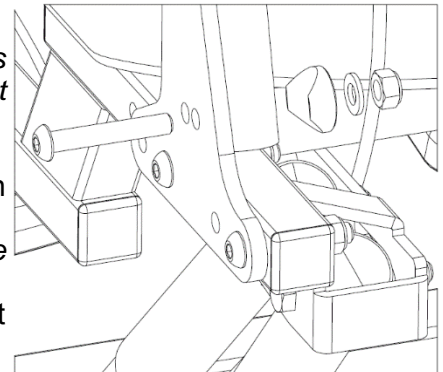
1. Remove the Shower Chair from the shipping carton.
2. Lift the back support to an upright position.

TIP: A Phillips screwdriver can be inserted through one of the plates and back posts to temporarily hold the back support in an upright position.

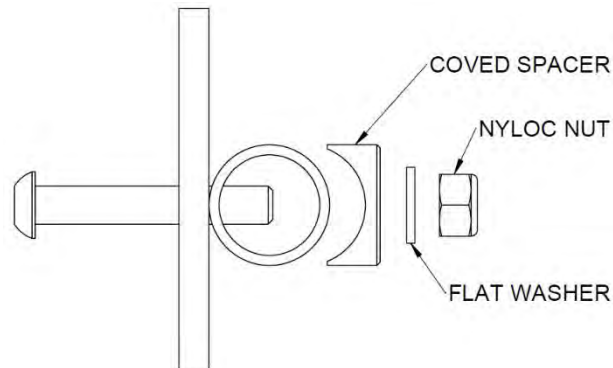
3. Insert an included 45mm long, button head cap screw through one of the two holes on the back support plate, then push the screw through the back support frame tube.

NOTE: Select the front hole for a 100° back support angle or rear hole for 95° back support angle.

4. Attach to the other end of the screw with the coved spacer, flat washer and locknut as shown below.
5. Tighten the assembly.
6. Repeat steps 3 to 5 for other back support plate.

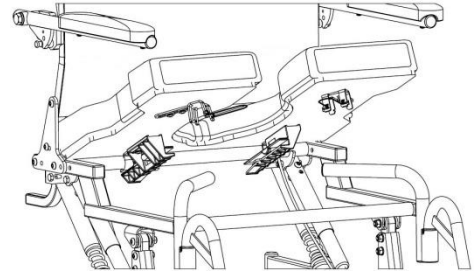


TOP VIEW OF BACK SUPPORT ASSEMBLY



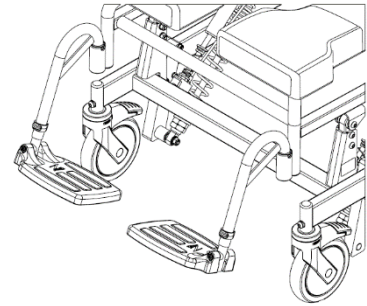
2.3 Raz Seat Installation

1. Ensure that the front spring brackets are in the open position.
To open the front brackets, squeeze to unlatch.
2. Slide the rear of the seat over the rear cross tubes as the front of the seat is lowered onto the frame. Check to make sure that the rear seat brackets hook below the cross tubes.
3. Continue lowering the front of the seat until the front seat brackets nestle onto the front seat support tubes.
4. Secure the seat in place by closing the front seat brackets.
To close the seat bracket, squeeze the clip and close the bracket around the front support tubes.
5. Reverse steps 1 to 4 to remove the seat from the frame.



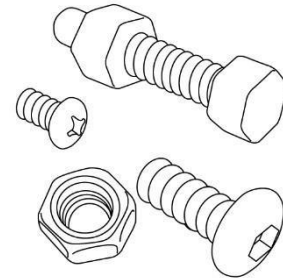
2.4 Adjustable Footrest Installation

1. Remove wrapped footrests from the inner accessory box.
2. Place the footrest hanger tubes into the receivers, welded at the front of the chair frame. *If the support tubes are directed forward, the pins on the tubes will engage with grooves in the receivers and lock in place.*



2.5 Fastener Installation

All fasteners should be installed securely. Locknuts that are removed for any reason may need to be replaced rather than re-used. Check performance of nyloc nuts when re-attaching to screw. There should be significant detectable resistance when tightening. If not, replace the nyloc nut with a new one. It is advisable to check annually that all fasteners are secure.



IMPORTANT !

ADJUSTMENTS SHOULD NEVER BE ATTEMPTED WITH THE USER IN THE CHAIR.

3.1 Back Support Adjustment

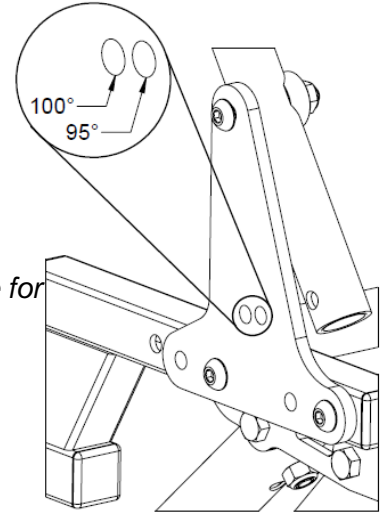
3.1.1 Back Support Angle Adjustment

Tools required: 6mm hex key, 13mm wrench

1. Loosen and remove the locknuts and curved washers inside both vertical back support frame tubes.
2. Remove the middle M8-1.25x45mm screw from the vertical back support frame tube on both sides.
3. Rotate the back support to one of the two positions on the back support mounting plates.

NOTE: Select the front hole for a 100° back support angle or rear hole for 95° back support angle.

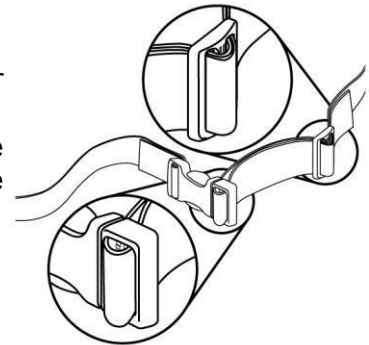
4. With the back support in place, insert the screws through the selected holes on the back support plates and push them through the frame tubes.
5. Fasten the other end of the screws with curved washers and locknuts.
6. Tighten the assembly with a hex key and wrench.



3.1.2 Adjustable-Tension Back Upholstery Adjustment

In order to adjust the back upholstery, each strap can be tightened or loosened in the buckles to achieve a wide range of positions.

For example, the second and third straps from the bottom can be tightened to create more pronounced support in the lumbar area of the back.



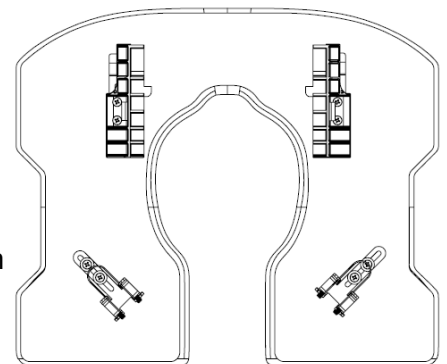
3.2 Molded Seat Adjustment

3.2.1 Molded Seat Depth Adjustment

The seat has approximately 2" of fore/aft adjustment.

Tool required: #2 Phillips screwdriver

1. Release the seat by opening the front seat brackets.
2. Remove the seat by lifting up on the front edge and sliding the seat forward and away from the chair.
3. Loosen (*do not remove*) the eight screws attaching the front and rear seat brackets to the underside of the seat.
4. Return the seat to the chair frame, nestling the front seat brackets onto the front support tubes.
5. Slide/wiggle the seat to the desired position.
6. Tighten the screws just enough to hold the front seat brackets in place, making sure the seat is positioned squarely on the frame.
7. With the seat on the chair, slide the rear brackets back until they make firm contact with the rear cross tube, tighten the screws to hold the brackets in place.
8. Remove the seat (*steps 1 & 2*) and tighten all eight screws.
9. Secure the seat to the chair frame by following the seat installation steps in section 2.3.



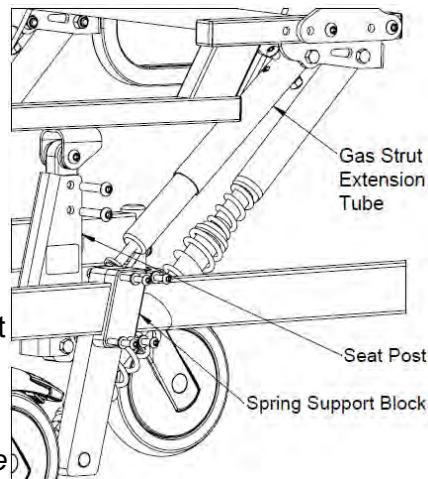
3.2.2 Molded Seat Height Adjustment

To change the seat-to-floor height on a Raz-AT600, the seat frame is raised or lowered from the wheel base at the seat posts on both sides of the chair.

Tools required: 5mm hex key, 6mm hex key, 10mm wrench, 13mm wrench

1. Remove screws from the seat posts, spring support blocks and gas strut extension tubes.
2. Raise or lower the chair to the height required for the user.
3. Slide the spring support blocks to accommodate the height change.
4. Adjust the seat to a position level to the ground.
5. Re-attach the screws to their respective positions.

Note: The screw on the gas strut extension tube will need to be relocated from its previous position in order to achieve a level seat.



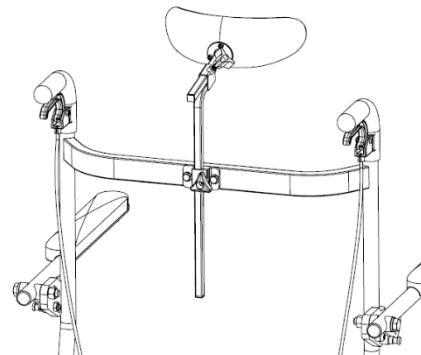
IMPORTANT !

INCREASING THE SEAT HEIGHT AND THE BACK SUPPORT ANGLE WILL DECREASE REARWARD STABILITY. IT IS ESSENTIAL THAT A STABILITY CHECK BE PERFORMED AFTER ANY OF THESE ADJUSTMENTS ARE MADE.

3.3 Molded Headrest Adjustment

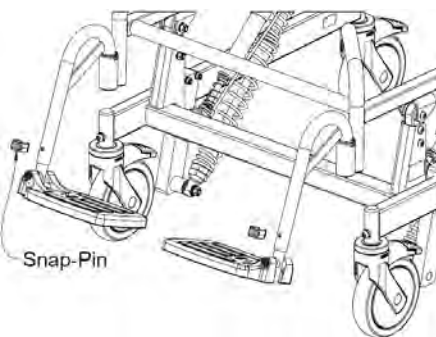
Tool required: 5/32" hex key

1. Loosen the bottom tri-lobe knob and adjust the vertical "swan neck" bar.
2. Loosen the top tri-lobe knob and adjust the headrest post horizontally for a fore/aft change in position.
3. To change the angle of the headrest pad, loosen (do not remove) the three screws on the back of the Molded Headrest. Rotate the headrest around the end of the headrest mounting bar to suit user's needs and tighten the screws to secure.
4. Ensure that all knobs and screws are tightened securely for the user's safety.



3.4 Adjustable Footrest Adjustment

1. Remove a plastic snap-pin from one footrest hanger tube.
2. Adjust the footplate extension tube vertically to achieve the desired height in the footrest hanger tube.
3. Insert the snap-pin through the footrest hanger tube and the extension tube. Ensure that the snap-pin is completely through the tube and that the green plastic clip is snapped securely around the outside of the hanger tube.
4. Repeat steps 1 to 3 for the other footplate.

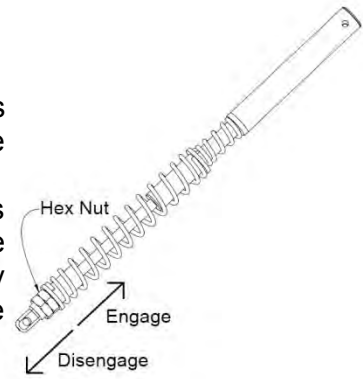


3.5 Weight Assisted Spring System (WASS) Adjustment

Tool required: 30mm wrench

The engagement of the WASS can be altered by adjusting the hex nuts along the length of the rod to help facilitate the tilting action for the attendant depending on user weight.

Move the hex nuts up the rod to further engage the springs. This is recommended for heavier users as the springs will help support the user's weight when tilting. Move the hex nuts down the rod to partially disengage the springs if the tilting action presents difficulty for the attendant.



4.0 USE AND OPERATION

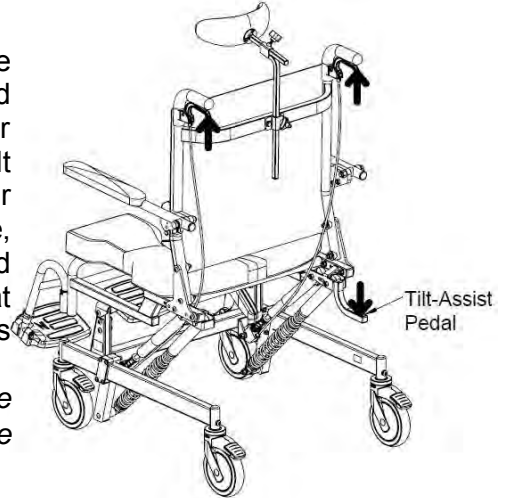
IMPORTANT !

ADJUSTMENTS SHOULD NEVER BE ATTEMPTED WITH THE USER IN THE CHAIR.

4.1 Tilt Function

The Raz-AT600 tilts up to 40° to provide comfort and relieve pressure for the user. Two gas spring struts facilitate this action and make the tilt smooth for the user and facilitate the tilting function for the attendant. To tilt the chair, the attendant must squeeze both tilt triggers and move the chair to the desired angle. To lock the chair in place, the triggers are simply released. Directly after purchase, the triggers and springs may seem stiff. This stiffness is normal and diminishes with use. Using the tilt-assist pedal will help to tilt the seat frame back. The tilt function must only take place when the casters are locked.

NOTE: When the chair is mounted at the lowest height setting the maximum potential tilt angle is 40°. The higher the chair is set, the fewer degrees the chair can be tilted back.

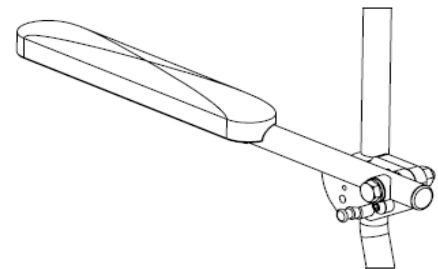


IMPORTANT !

DO NOT ATTEMPT TO TILT A RAZ MOBILE SHOWER COMMODE CHAIR IF THE ATTENDANT IS PHYSICALLY INCAPABLE OF SAFELY AND SMOOTHLY OPERATING THE TILT MECHANISM WITH A USER OCCUPYING THE CHAIR. ANY ATTENDANT MUST BE FAMILIAR WITH PROPER TILTING TECHNIQUES PRIOR TO ASSISTING A USER IN THE SHOWER COMMODE. A PELVIC STRAP IS RECOMMENDED FOR ANY USER AS AN EXTRA SAFETY PRECAUTION.

4.2 Multi-Position Back Support

The Multi-Position Back Support can be set at 95° or 100°. The armrests can flip up to allow for ease of transfer, and lock automatically when flipped down. The Multi-Position Back Support comes in a standard 20" back height.

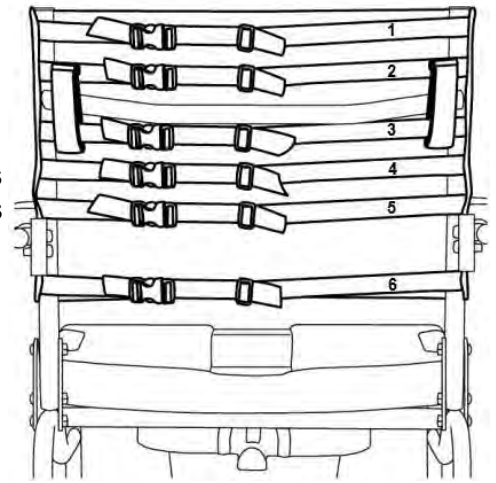


4.3 Adjustable-Tension Back Upholstery

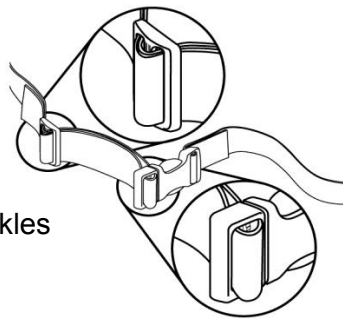
The Multi-Position Back Support comes with an Adjustable-Tension Back Upholstery that provides trunk support for optimal positioning and comfort. The upholstery is removable for machine washing.

To install the Adjustable Tension Back Upholstery:

1. Place the fabric against the front of the Back Support canes making sure that when wrapped around, the clips on the straps face away from the fabric and the loops point downwards.
2. The first (1) and second (2) straps are positioned above the crossbar.
3. The third (3), fourth (4) and fifth (5) straps are positioned between the crossbar and armrest mounting plates.
4. The sixth (6) strap is positioned below the armrest mounting plates.
5. Adjust all of the straps to meet the user's needs.



In order to adjust the back upholstery, each strap can be tightened or loosened in the buckles to achieve a wide range of positions. For example, the second and third straps from the bottom can be tightened to create more pronounced support in the lumbar area of the back.

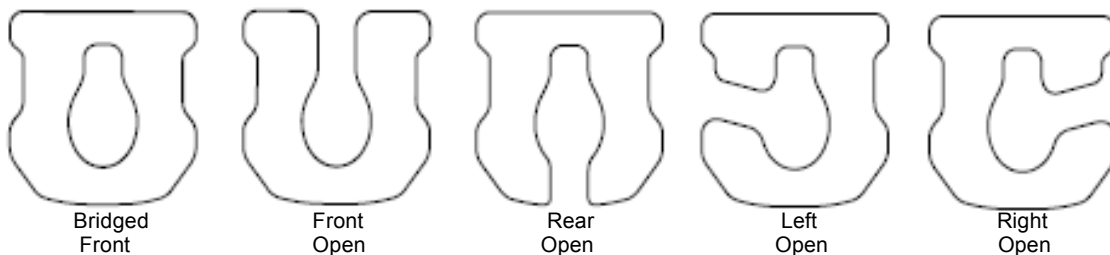


To remove the Adjustable-Tension Back Upholstery, release the buckles on the straps.

4.4 Molded Seat

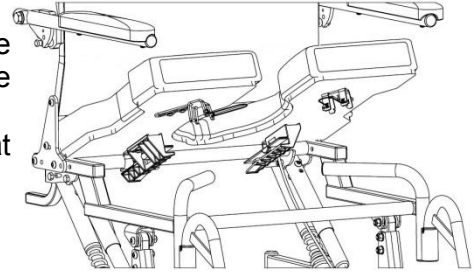
The standard molded seat on Raz-AT600 is designed to help stabilize the pelvis and is contoured for pressure reduction. The molded seats are made from soft, integral-skin foam and available as a standard 23" wide, 18" deep seat. Also available as an upgrade in pressure reduction are Visco-Foam Interface seats. The Visco-Foam seats are available with 5 configurations: bridged front, front open, rear open, left open, and right open.

All seats feature the unique Ischial Pelvic Alignment System (IPAS) that provides 2" of fore and aft adjustment, locks in place for transfers and removes easily for cleaning. Optional spacers for anterior or posterior seat angle are available. All Raz chairs fit over most standard toilet bowls when the commode pan is not in place.



To install a Raz Seat:

1. Ensure that the front spring brackets are in the open position. To open the front brackets, squeeze to unlatch.
2. Slide the rear of the seat over the rear cross tubes as the front of the seat is lowered onto the frame. Check to make sure that the rear seat brackets hook below the cross tubes.
3. Continue lowering the front of the seat until the front seat brackets nestle onto the front seat support tubes.
4. Secure the seat in place by closing the front seat brackets. To close the seat bracket, squeeze the clip and close the bracket around the front support tubes.
5. Reverse steps 1 to 4 to remove the seat from the frame.



IMPORTANT !

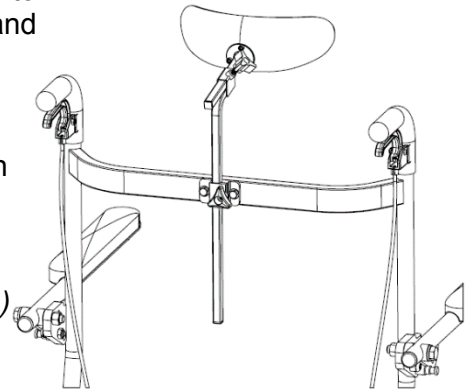
NEVER ATTEMPT TO CHANGE THE SEAT HEIGHT WITHOUT THE HELP OF A QUALIFIED DEALER. HIGHER SEAT POSITIONS WILL REDUCE THE CHAIR'S STABILITY AND MAY RESULT IN TIPPING AND INJURY.

4.5 Molded Headrest

A Molded Headrest is included with all Raz-AT600. The Molded Headrest is shaped to cradle the head comfortably and is easy to clean. The Molded Headrest can be adjusted indefinitely forward and backwards within a 5" range and vertically within a 11½" range.

To adjust the Molded Headrest:

1. Loosen the bottom tri-lobe knob and adjust the vertical "swan neck" bar.
2. Loosen the top tri-lobe knob and adjust the headrest horizontally for a fore/aft change in position.
3. To change the angle of the headrest pad, loosen (*do not remove*) the three screws on the back of the Molded Headrest. Rotate the headrest around the end of the headrest mounting bar to suit the user's needs and tighten the screws to secure.
4. Ensure that all knobs and screws are tightened securely for the user's safety.



4.6 Adjustable Footrests

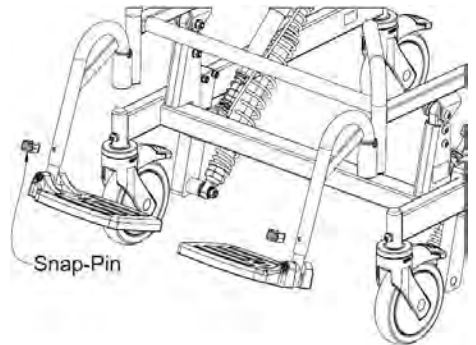
Adjustable Footrests are standard on all Raz Mobile Shower Commode Chairs. For transfers, the footrests can be flipped up, rotated away or removed entirely. Adjustable Footrests can be extended for users with longer legs with the optional footrest extension tube, a 2" longer tube that can be ordered for any Raz Mobile Shower Commode Chairs.

To insert the Adjustable Footrests:

1. Place the footrest hanger tubes into the footrest receivers.
2. If the hanger tubes are aligned forward, the pins on the tubes will engage with grooves in the receivers and lock in place.

To adjust the length of the Adjustable Footrests:

1. Remove the snap-pin from one footrest hanger tube.
2. Reposition the footplate to a length suitable for the user.
3. Insert the snap-pin through the footrest hanger tube and through the inner tube.



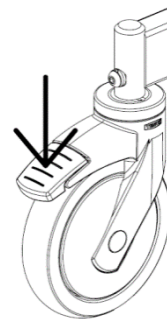
To rotate the Adjustable Footrests:

1. Lift the footrest hanger tubes to disengage the pins.
2. Rotate the footrests outward or inward.

To remove the Adjustable Footrests, lift the footrests out of the receiving sleeves on the frame.

4.7 Casters

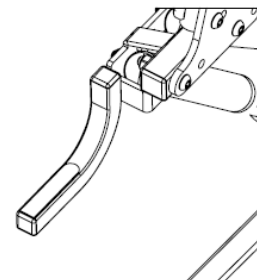
Each Raz Mobile Shower Commode Chair caster is equipped with a dual-lock feature, which stops the caster from swiveling and rolling simultaneously. To engage the dual-lock, step on the end of the caster brake lever until it latches in the “on” position. To deactivate the dual-lock, step on the raised end of the dual-lock until it latches in the “off” position.



ALWAYS release the directional lock (if applicable) and swivel all four casters to their outward position for maximum stability before transferring or tilting a user.

4.8 Tilt-Assist Pedal

A Tilt-Assist Pedal is available with the Raz-AT600 to facilitate tilting the chair for attendants.



4.9 Commode Pan

The Raz Commode Pan is designed with an elongated shape that fits directly under the seat to minimize back splash. A unique splash-reduction ridge is located at center of the pan. The high gloss surface facilitates cleaning and rinsing, while the pouring spout and handle facilitate emptying. Removal of the Commode Pan is achieved by sliding the pan rearward.

NOTE: When re-inserting the pan, ensure that the pan is guided into the green plastic brackets and pushed forward until it hits the stops.



IMPORTANT !

A QUALIFIED RAZ DEALER SHOULD BE CONTACTED TO CHECK ALL FASTENERS, CASTER AND WHEEL LOCKS, HARDWARE, AND ALL OTHER MOVING COMPONENTS AT LEAST ONCE PER YEAR

IMPORTANT !

ANY ATTENDANT MUST BE FAMILIAR WITH PROPER TILTING TECHNIQUES PRIOR TO ASSISTING A USER IN THE SHOWER COMMODE. A PELVIC STRAP IS RECOMMENDED FOR ANY USER AS AN EXTRA SAFETY PRECAUTION.

5.0 CLEANING AND MAINTENANCE

5.1 Cleaning After Each Use

5.1.1 Commode Pan

1. Remove the commode pan and empty contents.
2. Wash the pan with a multi-purpose disinfectant cleaning solution. Use a soft brush if needed.
3. Rinse well before storage or re-use.

NOTE: A soapy hot water wash followed by a disinfectant spray can be substituted for a multi-purpose disinfectant cleaning solution.

5.1.2 Molded Seat

1. Spray with a multi-purpose disinfectant cleaner and scrub with a soft brush as required.
2. Rinse with a water spray before storage or re-use.
DO NOT IMMERSE the seat in water or cleaning solutions.
3. For a more thorough cleaning, remove the seat from the shower chair to allow better access to the underside of the seat and around the opening of the seat.

5.2 Cleaning As Needed

5.2.1 Adjustable-Tension Back Upholstery

1. Remove the plastic buckles and tri-glides from the back upholstery straps, paying attention to how the straps are wound through each component as they are removed.
2. Remove the back upholstery from the back frame and machine wash with a mild detergent in warm water on a normal or gentle wash cycle. Include other strap accessories such as the H-strap, pelvic and chest positioning straps.
3. Install the back upholstery and other positioning accessories on the chair and allow to dry.
DO NOT dry the back upholstery in a clothes dryer or damage to the upholstery may occur.
4. Assemble all plastic buckles and tri-glides onto straps.
5. Adjust the straps to the desired tension.

5.2.2 Frame, Armrests, Adjustable Footrests, and Other Components

1. Spray the frame and components with a multi-purpose disinfectant cleaner, scrub with a soft brush and rinse with water.
2. If necessary, spray the frame and components with a diluted (10 parts water to 1 part solution) calcium/lime remover (such as CLR), scrub with a soft brush and rinse thoroughly with water. **DO NOT** mix a calcium/lime removal solution with any other liquid or toxic fumes may occur.

It is recommended to the user that a qualified Raz dealer check over all fasteners and subassemblies if there is cause for concern regarding the shower chair's performance.

Several times each year the shower chair and its components should be wiped down with a diluted calcium/lime removal solution to reduce deposits, followed by a hot water rinse.

To reduce the risk of mildew buildup, the entire chair should be wiped down with a soft dry cloth after the final rinse and before storage or use.

5.3 Suggested Cleaning Products

Task	Recommended Products
General Cleaning	Antibacterial Detergent
Tuberculocidal Surface Cleaner Intermediate Level Disinfectant	Oxiver TB (Virox Technologies Inc.) SepteFX 7D-11 (Titan Worldwide Inc.)
Calcium and Lime Deterrent	CLR

6.0 LIMITED WARRANTY

This warranty is extended only to the original purchaser/user for Raz Mobile Shower Commode Chairs that have been purchased from a qualified Raz dealer.

This warranty gives you specific legal rights, but you may have additional legal rights depending on your region and country.

This warranty shall be extended to comply with state/provincial laws and requirements.

With regards to the original purchaser/user only, Raz Design warrants its base and back frame components to be free of defects in materials and workmanship for a period of two (2) years from the date of purchase. All other components on the Raz Mobile Shower Commode Chairs are covered for a period of one (1) year and are subject to normal wear and tear exclusions. If within such warranty period any such product shall be proven to be defective, the part will be repaired or replaced, at Raz Design's discretion. This warranty does not include any labor or shipping charges incurred in replacement, part installation, or repair of any such product.

For warranty service, please contact the dealer from whom you purchased your Raz Mobile Shower Commode Chair. In the event that you do not receive satisfactory warranty service, please contact Raz Design directly using the contact information located in either the beginning or the end of this manual. In your correspondence please provide your dealer's name and address, the product type, the date of purchase, the chair's serial number (on a grey label located on the chair frame), as well as the nature of the product issue. Do not return products to the manufacturer without prior authorization.

Limitations and Exclusions:

The foregoing warranty shall not apply to serial numbered products if the serial number has been removed or defaced, and to products subjected to negligence or an accident. Improper operation, maintenance, or storage may void the warranty coverage on the Raz Mobile Shower Commode Chair.

The warranty does not apply to products modified without Raz Design's express written consent. This includes, but is not limited to, modification through the use of unauthorized parts or attachments, products damaged by reason of repairs made to any component by an individual or individuals who are not employed by a qualified Raz dealer, or to a product damaged by circumstances beyond Raz Design's control. Only Raz Design will have the authority to determine whether or not the circumstances are eligible for warranty coverage. The warranty will not apply to problems arising from normal wear or failure to adhere to the instructions contained in this manual.

The foregoing warranty is exclusive and in lieu of any other warranties, whether express or implied, including the implied warranties of merchantability and fitness for a particular purpose. The sole remedy for violations of any warranty whatsoever will be limited to repair or replacement of the defective product in compliance to the terms contained in this document.

The application of any implied warranty shall not extend beyond the duration of the express warranty provided herein. Raz Design will not be liable for any consequential or incidental damages to part or whole of a Raz Mobile Shower Commode Chair.

IMPORTANT !

DO NOT USE ABRASIVE POWDERS OR SCOURING PADS ON THE RAZ SHOWER CHAIR.

DO NOT SUBMERGE THE RAZ MOBILE SHOWER COMMODE CHAIR IN WATER.

RINSE THOROUGHLY AFTER CLEANING TO ENSURE THAT ANY SOAP OR DETERGENT RESIDUE IS REMOVED.

DO NOT USE CLEANING PRODUCTS WITHOUT CONSULTING THE PRODUCTS' INSTRUCTIONS AND TAKING APPROPRIATE PRECAUTIONS FOR HUMAN EXPOSURE TO CHEMICALS.

7.0 CONTACTS

It is important that the Raz Mobile Shower Commode Chair be properly assembled and all adjustments be made carefully. Up-to-date manuals can be downloaded from www.razdesigninc.com. For clarification of any section of this manual, contact either the Canadian distributor or manufacturer.



MANUFACTURER

U.S.A. AND WORLDWIDE

Raz Design Inc.

135 Railside Rd, Toronto, ON, Canada M3A 1B7

1.877720.5678 / 416.751.5678

info@razdesigninc.com



DISTRIBUTOR

CANADA

Dynamic Health Care Solutions

Mono, Ontario, Canada

519.942.8441 / 866.875.2877

info@dynamichcs.com

IMPORTANT!

PRODUCTS THAT CAN NO LONGER BE USED ARE TO BE DISPOSED OF SEPARATELY FROM HOUSEHOLD WASTE. THIS MUST BE DONE ACCORDING TO THE LOCAL AND NATIONAL REGULATIONS FOR ENVIRONMENTAL PROTECTION AND RAW MATERIAL RECYCLING. PLEASE LOOK AT YOUR LOCAL GOVERNMENT WEBSITE FOR FURTHER INFORMATION ON THE CORRECT DISPOSAL.

IF IT IS EVER FELT THAT ANY ASPECT OF THE RAZ MOBILE SHOWER COMMODE CHAIR IS IN NEED OF MAINTENANCE, CONTACT YOUR DEALER. ANY PROBLEMS THAT COULD AFFECT THE SAFE USAGE OF THE CHAIR MUST BE ATTENDED TO IMMEDIATELY. THE DEALER THAT PROVIDED THE SHOWER CHAIR MUST BE CONTACTED SO THAT REPAIRS CAN BE MADE PRIOR TO USING THE CHAIR. IT MUST BE MADE CLEAR TO THE DEALER THAT THE SHOWER CHAIR IS IN NEED OF MAINTENANCE AND IS UNAVAILABLE FOR USE UNTIL REPAIRS HAVE BEEN UNDERTAKEN AND ALL PROBLEMS RESOLVED.

IF FOR ANY REASON, YOUR DEALER DOES NOT RESPOND TO YOUR SATISFACTION, PLEASE CONTACT RAZ DESIGN:

BY EMAIL info@razdesigninc.com

BY PHONE 1.877.720.5678