



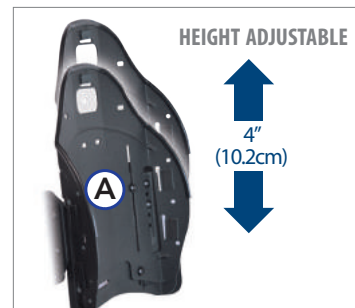
NXT™ Xtend™

HEIGHT ADJUSTABLE THORACIC BACK SUPPORT

- Ⓐ **Built-in height adjustment**, allows back height, and lateral contour height to be set exactly where support is needed. Done quickly and easily with the user seated in the wheelchair
- Ⓑ **Two-piece lightweight aluminum shell**
- Ⓒ **Adjustable upper section** allows for optimal lateral thoracic support.
- Ⓓ **Fixed lower section** supports the pelvis
- Ⓔ **Xtend Low DEEP offers adjustable lateral contour depth of 5.5 – 7" (14 – 17.8cm)** for optimal mid-line support and positioning. DEEP Only.
- Ⓕ **Scapula cut-out shape**



◀ The NXT Xtend DEEP offers adjustable contour depth of 5.5 - 7" (14 - 18 cm)



with
smartGEL™
INFUSED VISCO TECHNOLOGY

**Shaped to support
your every move.**

The **NXT Xtend Back Support** is one of the most uniquely adjustable back supports on the market today – providing height adjustability, allowing for precise targeted support of the thoracic region.

FEATURES

WHAT IS INCLUDED:

- Two-piece lightweight aluminum shell
- Depth adjustable lateral contours (DEEP) only
- Dual density foam back cushion includes smartGEL™ Infused Visco Technology
- Pelvic / Lumbar pads
- Animicrobial spacer mesh cover (washable)
- Installation hardware – QuickFit Mounting System
- One-hand quick release

ACCESSORIES & OPTIONS:

- Regular and Deep Contour Shapes
- Lateral supports
- Head supports
- Replacement cover and foam
- Incontinent infection control covers (inner and outer)



The One-Hand Quick Release allows the back rest to be easily removed from the chair.



Low Pivot Point allows you to support the pelvis while adjusting recline.



Scapula Triangle – Improves shoulder freedom & head control



Customizable Contour – Lateral Contours can be bent in or out for better postural control and customized fit.



Pelvic Positioning cut-out provides a space for the buttocks to protrude beyond the back for a better, more natural seated position.



smartGEL™ Infused Visco Technology – reduces surface temperature, drawing heat away from skin providing superior comfort and softness.

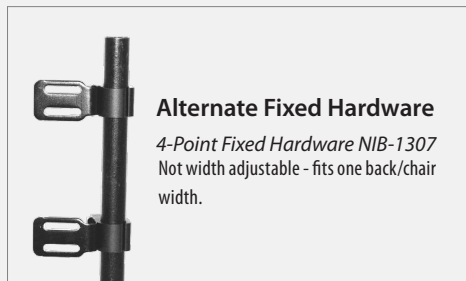
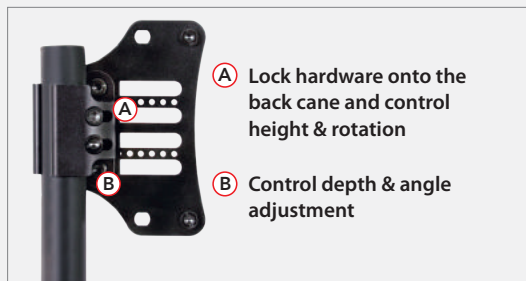
QuickFit™ MOUNTING SYSTEM

Lets you quickly and easily adjust while your client is in the chair.

- Reversible for increased depth range
- 5" (12.7cm) of depth adjustment, 2.5" (6.4cm) in front or behind back canes
- Easily expandable to allow the back support to fit on wider wheelchairs (up to 2" wider than the back)
- Install or remove clamps without taking them apart
- Hardware is a discreet size and provides strength and rigidity to the back support
- Adjustable for pelvic or trunk rotation
- Fits metric & imperial tubing including, 0.75-1" (1.9-2.5cm) back canes without shims



Angle Adjustability of 50°



Accommodates Asymmetrical Posture

SPECIFICATIONS



NXT™ Xtend™ – HEIGHT ADJUSTABLE THORACIC BACK SUPPORT

XTEND SIZES – Inch (cm)

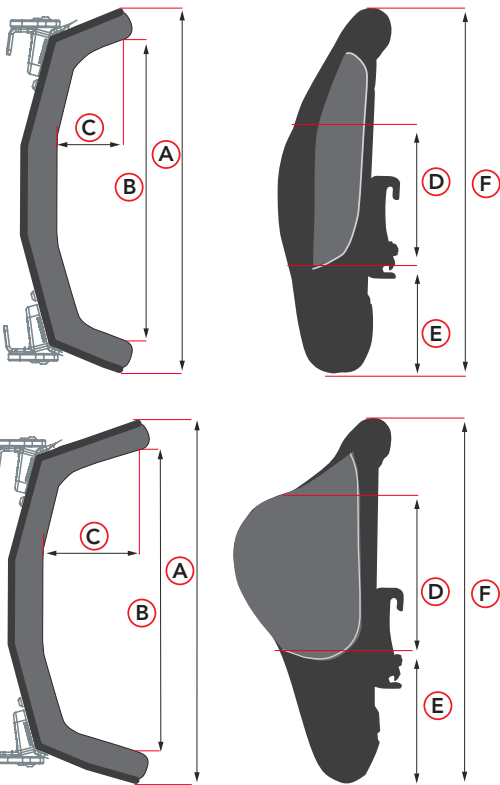
WIDTH	HEIGHT	FITS WHEELCHAIR WIDTHS
16 (40.6)	16 - 20 (40.6 - 50.8)	16 - 18 (40.6 - 45.7)
18 (45.7)		18 - 20 (45.7 - 50.8)
20 (50.8)		20 - 22 (50.8 - 55.9)
22 (55.9)		22 - 24 (55.9 - 61.0)
24 (61.0)		24 - 26 (61.0 - 66.0)

XTEND and XTEND DEEP SPECIFICATIONS – Inch (cm)

	XTEND	XTEND DEEP
Weight* - lbs (kg)	4.1 (1.86)	4.7 (2.13)
Height	16 - 20 (40.6 - 50.8)	
Width	16 - 24 (40.6 - 61.0)	
Contour Depth	3.5 (8.9)	5.5 - 7 (14 - 18)
Weight Capacity - lbs (kg)	300 (136.08) 22" wide +: 400 (181.44)	

*Weight based on 16" shell

BACK DIMENSIONS – INCHES (CM)



XTEND HEIGHT ADJUSTABLE THORACIC BACK SUPPORT

	16 (40.6)	18 (45.7)	20 (50.8)	22 (55.8)	24 (60.9)
A	13.5 (34.2)	15.5 (39.3)	17.5 (44.4)	19.5 (49.5)	21.5 (54.6)
B	11.75 (29.8)	13.75 (34.9)	15.75 (40.0)	17.75 (45.0)	19.75 (50.1)
C	3.5 (8.8)	3.5 (8.8)	3.5 (8.8)	3.5 (8.8)	3.5 (8.8)
D	7 (17.7)	7 (17.7)	7 (17.7)	7 (17.7)	7 (17.7)
E	3 - 7 (7.6 - 17.7)	3 - 7 (7.6 - 17.7)	3 - 7 (7.6 - 17.7)	3 - 7 (7.6 - 17.7)	3 - 7 (7.6 - 17.7)
F	16 - 20 (40.6 - 50.8)	16 - 20 (40.6 - 50.8)	16 - 20 (40.6 - 50.8)	16 - 20 (40.6 - 50.8)	16 - 20 (40.6 - 50.8)

XTEND DEEP HEIGHT ADJUSTABLE THORACIC BACK SUPPORT

	16 (40.6)	18 (45.7)	20 (50.8)	22 (55.8)	24 (60.9)
A	15 (38.1)	17 (43.1)	19 (48.2)	21 (53.3)	23 (58.4)
B	13.25 (33.6)	15.25 (38.7)	17.25 (43.8)	19.25 (48.8)	21.25 (53.9)
C	5.5 - 7 (13.97-17.7)	5.5 - 7 (13.97-17.7)	5.5 - 7 (13.97-17.7)	5.5 - 7 (13.97-17.7)	5.5 - 7 (13.97-17.7)
D	7 (17.7)	7 (17.7)	7 (17.7)	7 (17.7)	7 (17.7)
E	3 - 7 (7.6 - 17.7)	3 - 7 (7.6 - 17.7)	3 - 7 (7.6 - 17.7)	3 - 7 (7.6 - 17.7)	3 - 7 (7.6 - 17.7)
F	16 - 20 (40.6 - 50.8)	16 - 20 (40.6 - 50.8)	16 - 20 (40.6 - 50.8)	16 - 20 (40.6 - 50.8)	16 - 20 (40.6 - 50.8)

