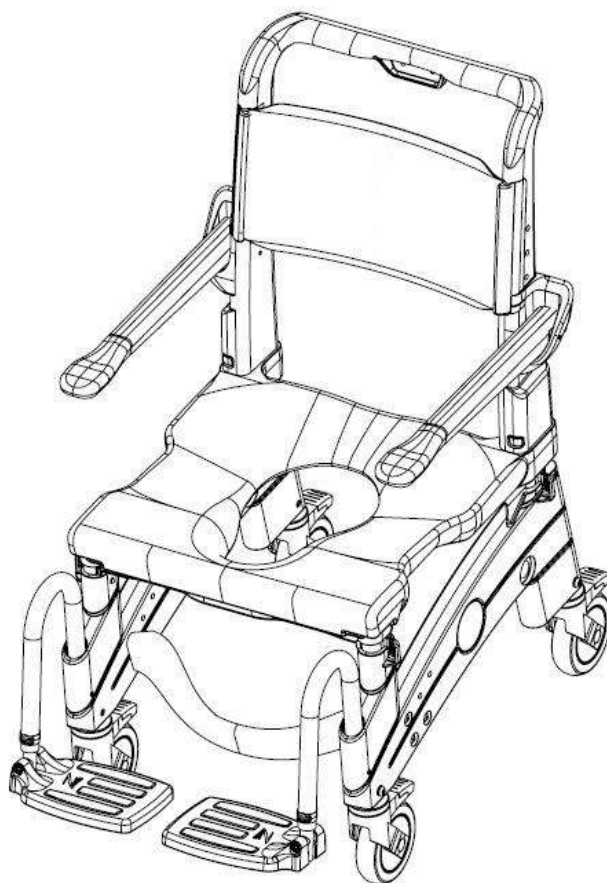




Mobile Shower Commode Chairs

Jaz-AP

User and Dealer Manual



SAFETY PRECAUTIONS

Failure to comply may cause injury or damage!

It is important that the Jaz Mobile Shower Commode Chair is properly assembled and that all adjustments are made carefully. Please ensure that the user(s), dealer(s) and attendants(s) have read this manual and thoroughly understood the safe operation of the Jaz-AP. Up-to-date manuals are available online at www.razdesigninc.com. For clarification of any section of this manual, please contact your dealer or the manufacturer.

Raz Design Inc.
 22 Howden Rd. Toronto, Canada M1R 3E4
 1.416.751.5678 / 1.877.720.5678 (USA)
 info@razdesigninc.com

CHAIR CLASSIFICATION BASED ON MAXIMUM USER WEIGHT	
Jaz-AP	150 kg (330 lbs)

SAFETY WARNINGS TO CONSIDER FOR RETAIL PURPOSES

THIS DEVICE IS SUITABLE FOR TYPE A; HIGH USAGE (e.g. INSTITUTIONS) AND SHOULD NEVER BE USED FOR ANY PURPOSE OTHER THAN ORIGINALLY INTENDED

Forward Stability

The casters on all models are equipped with dual locks. The step-on lever activates both the roll lock and the swivel lock. ***It is essential that all casters on the shower chair be in an outward position before engaging the locks, for optimal forward, rearward and lateral stability.***

USERS MUST NOT lean forward while sitting in the Jaz-AP as this may cause the chair to tip forward.

USERS MUST NOT wheel up or down a ramp without an attendant who can hold onto the Jaz-AP during the ascent or descent.

CASTER LOCKS ARE NOT BRAKES! Never use the caster locks to slow down the Jaz-AP when descending inclines as this could cause the chair to tip in the direction of travel.

Lateral Stability

USERS MUST NOT lean over the edge of the Jaz-AP as this could cause the chair to tip.

USERS MUST NOT attempt to pick up objects from the floor by leaning over and reaching – a reacher or grabber tool should be used, or seek assistance from an attendant.



USERS MUST NOT position the Jaz-AP on a side slope as this could cause it to tip.



Ramps and Other Inclines

Ramps or other surfaces that are not level (such as slopes into wheel-in showers) must be tested with an attendant to ensure the stability of the chair is not compromised. A qualified healthcare professional should be consulted to assist with this process.

DO NOT push or pull the Jaz up or down an incline or ramp that exceeds a 1:12 grade (5° slope).



DO NOT allow any user to be propelled (pushed or pulled) in the Jaz-AP in any other manner than by an attendant.

Immersion

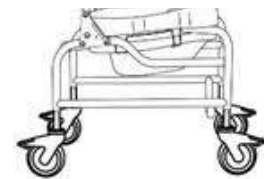
The Jaz-AP is not designed to be used as a pool chair. Do not immerse the shower chair in whole or in part, in water or any other liquid. Damage to the shower chair components may result.

Transfers

The most dangerous part of using any shower chair is the transfer. Since every chair has different stability characteristics, it is essential to carefully review and test the transfer technique to ensure that the procedure is safe. Test transfers should be performed with an attendant who can prevent the chair from tipping or moving during the transfer. If you feel that the transfers cannot be repeatedly performed safely, contact a healthcare professional who is familiar with transfer techniques and options. Individuals who have not learned safe transfer skills must seek assistance during transfers and may require the use of a mechanical lift.

Transferring onto the Jaz-AP Shower Chair

ALWAYS lock all four casters in their outward position (front casters positioned in the forward position/rear casters positioned to the rear) for maximum chair stability.

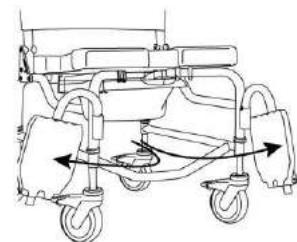


CASTERS SHOWN IN OUTWARD POSITION

Transfers should never be attempted with the shower chair positioned on slippery surfaces. It is recommended that transfers be performed on clean, dry, non-slippery surfaces. Hard surface flooring such as tile, wood or concrete may not provide sufficient grip to keep locked casters from sliding. A fully-carpeted surface is optimal. Be aware that area rugs and shower mats can slide on floors and thereby present a hazardous surface.

DO NOT stand on any part of the frame of the Jaz-AP.

NEVER use the footplates to assist in transfers. This could cause the chair to tip. The footrests should be swung to the side or removed entirely during transfers to provide unobstructed access to the Jaz-AP.



The Jaz-AP **is NOT** intended for use as a transportation device or a long-term seating system.

IMPORTANT !

USERS SHOULD NEVER BE LEFT UNATTENDED IN THE JAZ-AP

IMPORTANT !

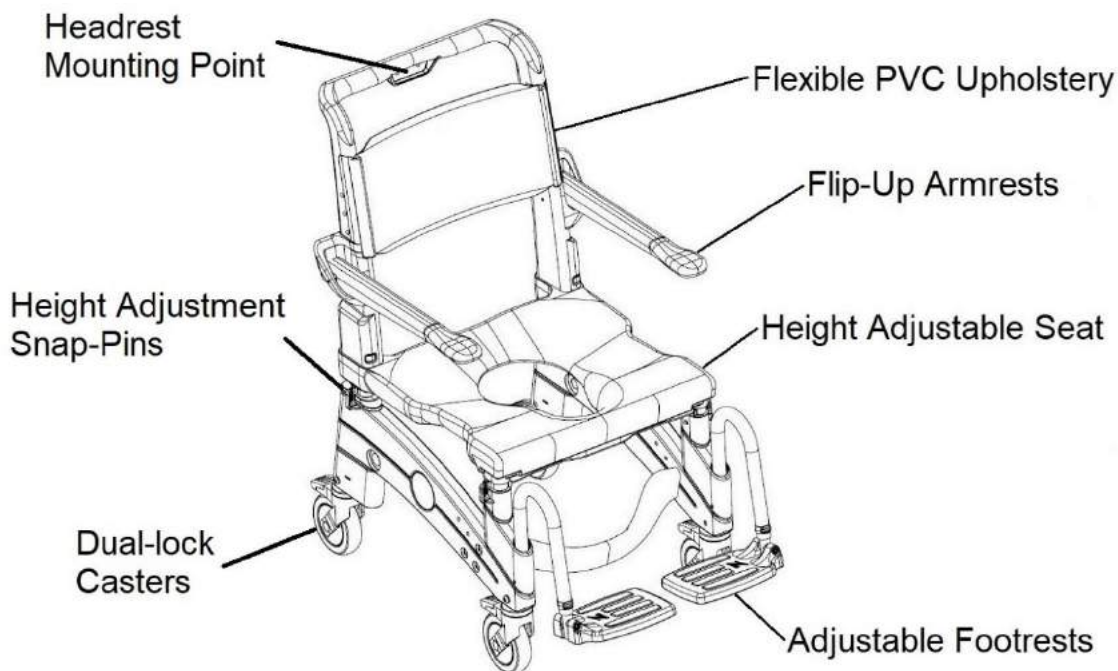
DO NOT LIFT THE JAZ-AP AND OCCUPANT BY THE ARMRESTS OR FOOTRESTS!

Table of Contents

1.0	GENERAL INFORMATION	6
1.1	Jaz-AP Overview	6
1.2	Jaz-AP Specifications	6
2.0	CHAIR SET-UP: INTENDED FOR DEALER, DISTRIBUTOR OR QUALIFIED WHEELCHAIR/SERVICE TECHNICIAN	7
3.0	ACCESSORIES INSTALLATION: INTENDED FOR DEALER, DISTRIBUTOR OR QUALIFIED WHEELCHAIR/SERVICE TECHNICIAN.....	11
3.1	Pelvic Strap Installation	11
3.2	Chest Strap Installation	11
3.3	Lateral Support Installation	12
3.4	Armrest Lock Installation	13
3.5	Headrest Installation	13
4.0	USE AND OPERATION	14
4.1	Standard / Locking Armrest	14
4.2	Adjustable Footrests	14
4.3	Commode Pan.....	14
4.4	Casters	14
5.0	CLEANING AND MAINTENANCE	15
5.1	Cleaning After Each Use	15
5.1.1	Commode Pan.....	15
5.1.2	Soft Seat (if ordered)	15
5.2	Cleaning As Needed.....	15
5.2.1	Frame, Armrests, Adjustable Footrests, and Other Components	15
5.3	Suggested Cleaning Products	15
6.0	LIMITED WARRANTY	16
7.0	CONTACTS.....	17

GENERAL INFORMATION

1.1 Jaz-AP Overview



1.2 Jaz-AP Specifications

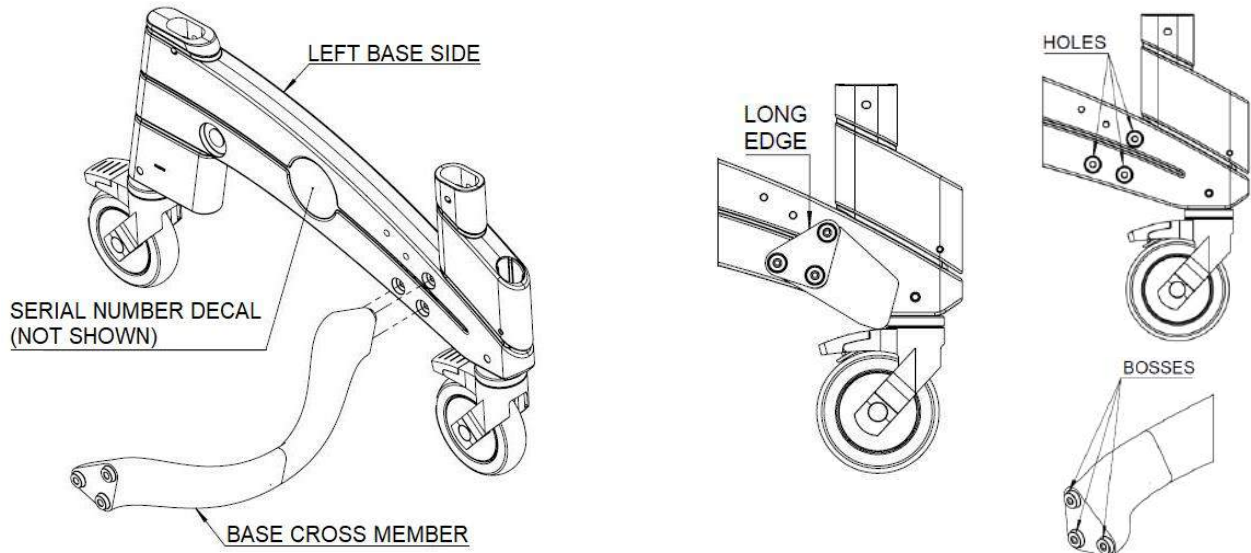
SPECIFICATIONS	Jaz-AP
WEIGHT CAPACITY	150 kg (330 lbs)
SEAT WIDTH	48 cm (19")
SEAT DEPTH	43 cm (17")
BACK WIDTH	46 cm (18")
BACK HEIGHT	43 cm (17")
TOILET HEIGHT CLEARANCE	39-51 cm (15.4"-20.4")
TOILET WIDTH CLEARANCE	40 cm (15.7")
ARMREST HEIGHT ABOVE SEAT	20 cm (8")
SEAT-TO-FLOOR HEIGHT	48-61 cm (19"-24")
OVERALL WIDTH	58 cm (23")
MINIMUM TURNING CIRCLE	96 cm (38")
PRODUCT WEIGHT	17 kg (38 lbs)

2.0 CHAIR SET-UP: INTENDED FOR DEALER, DISTRIBUTOR OR QUALIFIED WHEELCHAIR/SERVICE TECHNICIAN

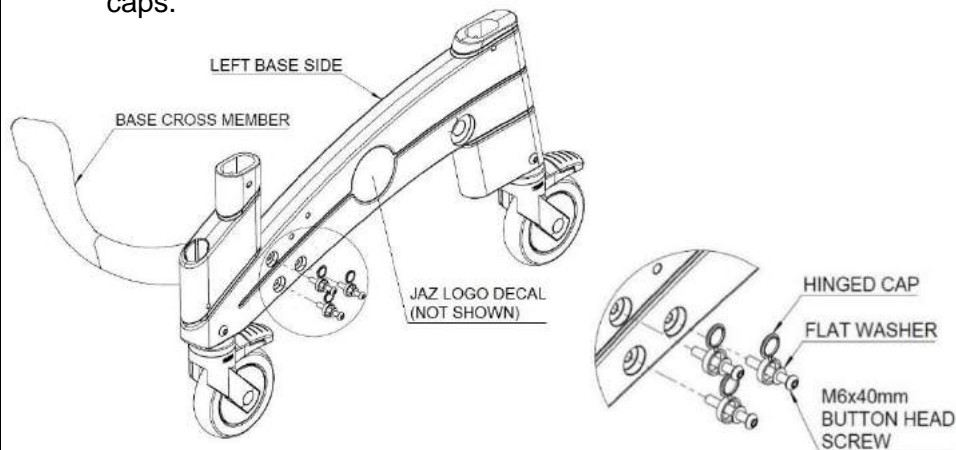
Tools Required: #2 Phillips screwdriver, 4mm hex key

1. Align the base cross member onto the base side.

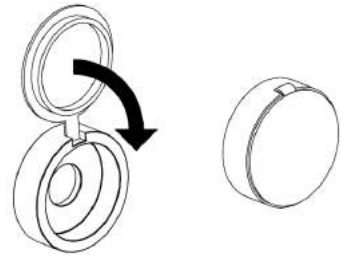
Note the orientation of the long edge on the base cross member and ensure all 3 bosses of the base cross member are seated within the holes on the base side.



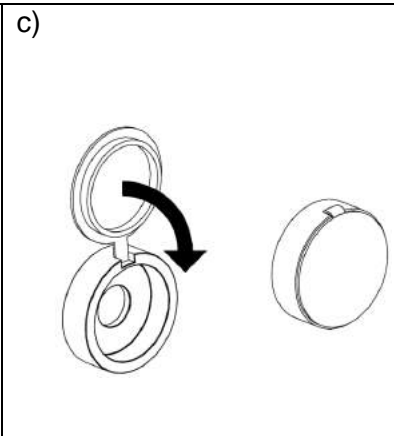
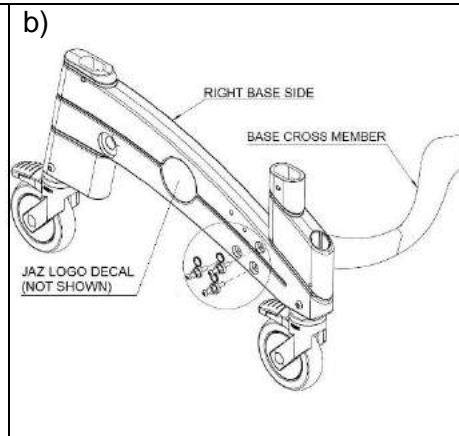
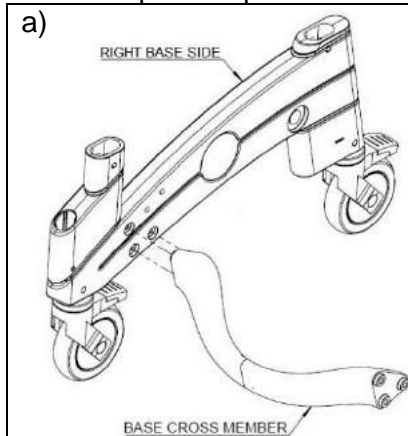
2. Secure the base side and base cross member with three M6x40mm button head screws with flat washers and hinged caps.



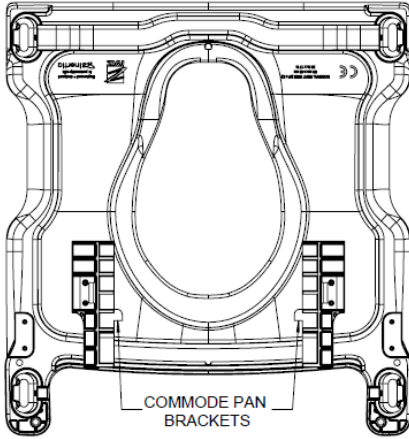
3. Close the hinged caps.



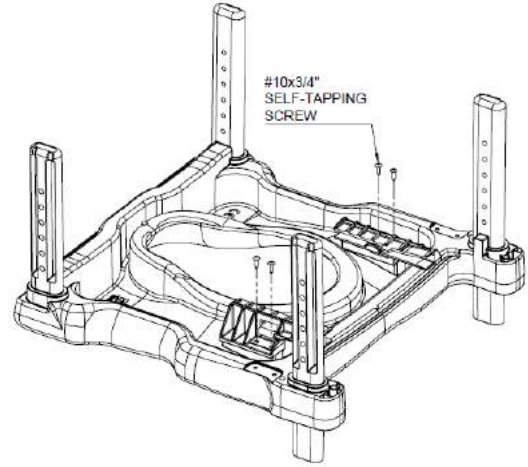
4. Repeat steps 1-3 for the other jax side.



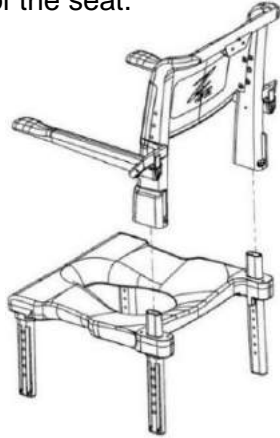
5. Set the commode pan brackets onto the bottom of the seat. *Ensure the commode pan brackets are in the correct orientation.*



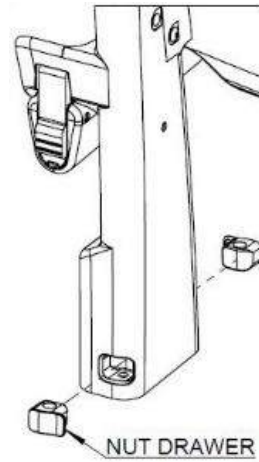
6. Attach the commode pan brackets using four #10x3/4" self-tapping screws.



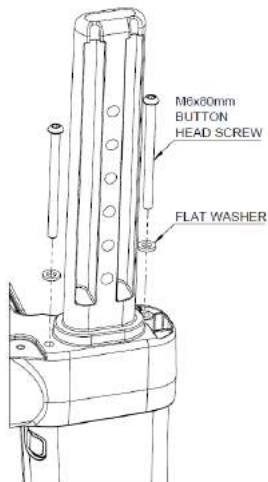
7. Connect the backrest to seat. Apply downward force such that the bottom surface of the backrest makes contact with the top surface of the seat.



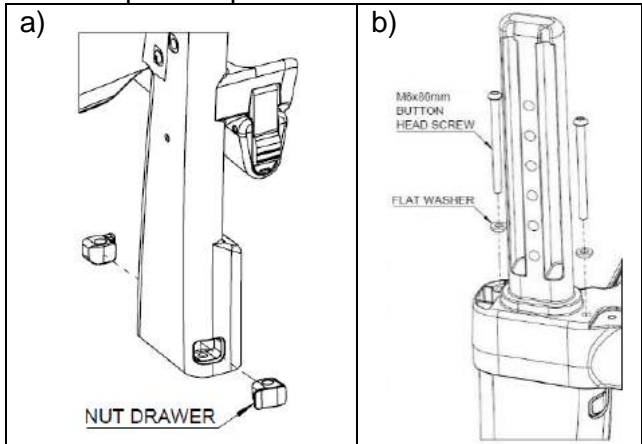
8. Slide the nut drawers into the backrest slots in the appropriate orientation.



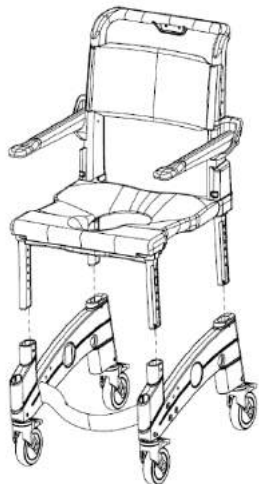
9. Insert the two M6x80mm button head screws with flat washers into holes on the underside of the seat. Tighten the screws into the nut drawers to secure the backrest to seat.



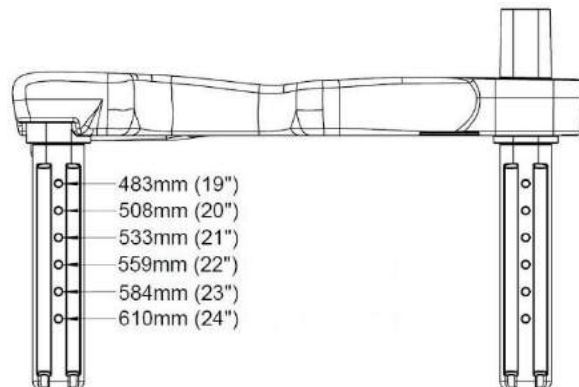
10. Repeat steps 8-9 for the other side.



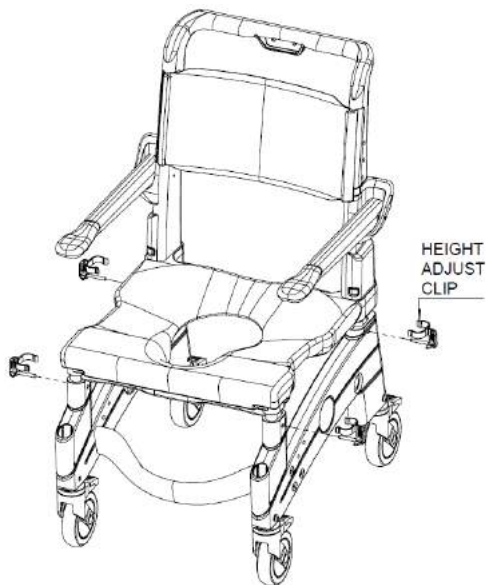
11. Set the seat and back assembly onto the base frame. Ensure all four legs of the seat are aligned with the four slotted holes in the base.



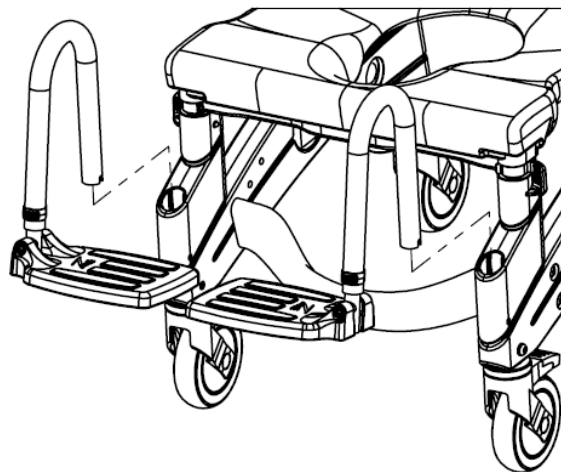
12. Select and set to the desired seat-to-floor height.



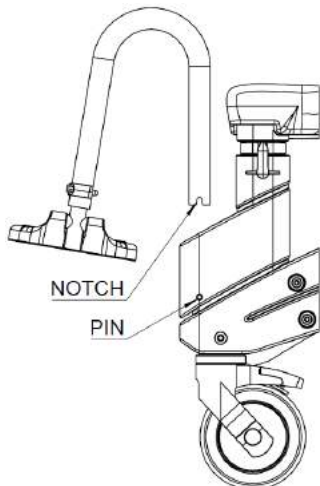
13. Insert the height adjust clips through all 4 legs of the base and seat.



14. Place the footrest hanger tubes into the footrest receiver holes on the base frame.



15. Ensure the notch on the hanger tubes sits securely on the pin in the footrest receiver hole.



Complete Chair

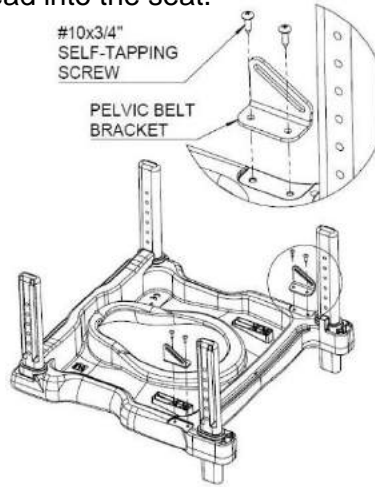


3.0 ACCESSORIES INSTALLATION: INTENDED FOR DEALER, DISTRIBUTOR OR QUALIFIED WHEELCHAIR/SERVICE TECHNICIAN

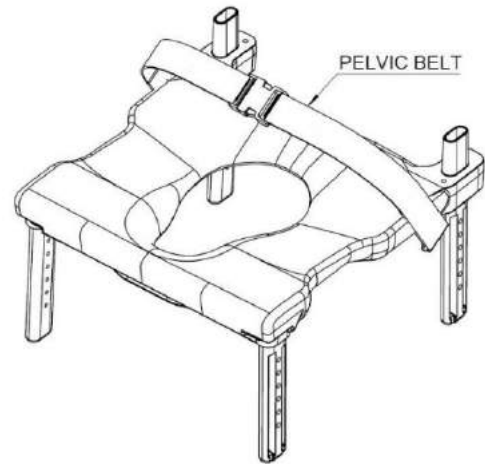
3.1 Pelvic Strap Installation

Tool required: #2 Phillips screwdriver

1. Insert the #10x3/4" self-tapping screws through the holes on the pelvic belt bracket and thread into the seat.



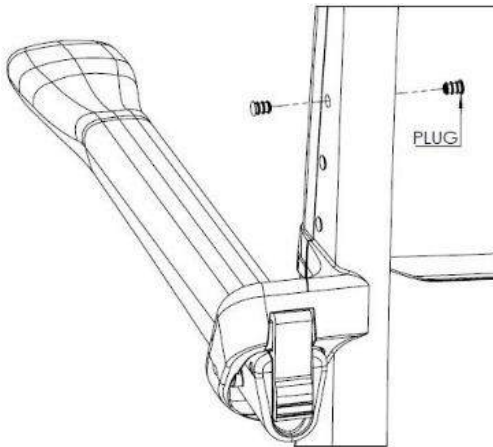
2. Attach pelvic strap by looping through slot on pelvic belt brackets.



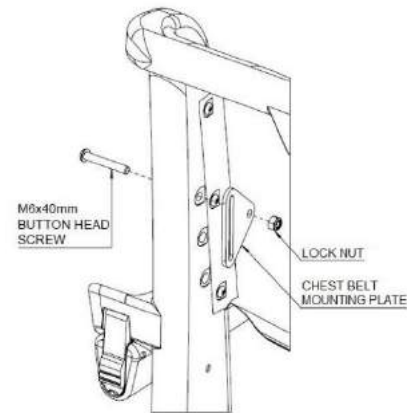
3.2 Chest Strap Installation

Tools required: flat head screwdriver, 4mm hex key, 10mm wrench,

1. Remove the top plugs in the backrest with a flat head screwdriver (if applicable).

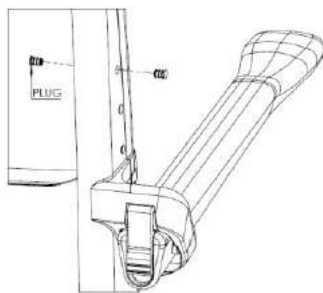


2. Insert the M6x40mm button head screw into the backrest and chest belt mounting plate. **Hand tighten** the lock nut.

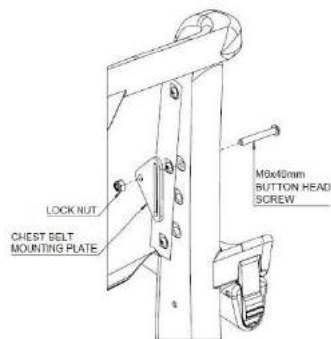


3. Repeat steps 1-2 for the other side.

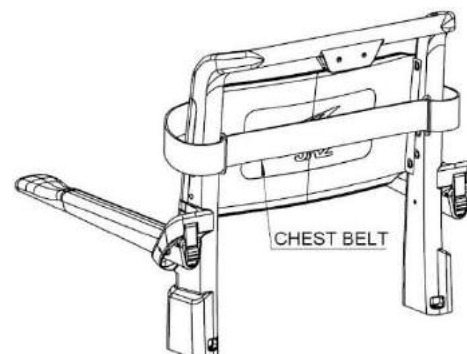
a)



b)



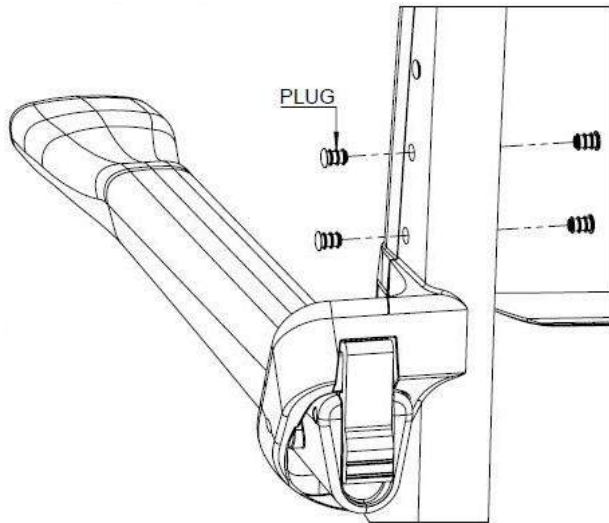
4. Attach the chest belt by looping through the slot on the chest belt mounting plates. **Fully tighten** the lock nuts.



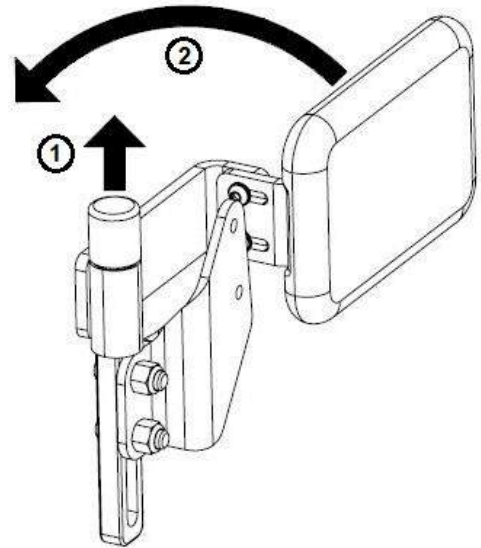
3.3 Lateral Support Installation

Tools required: flat head screwdriver, 4mm hex key, 7/32 hex key, 10mm wrench, 9/16" wrench

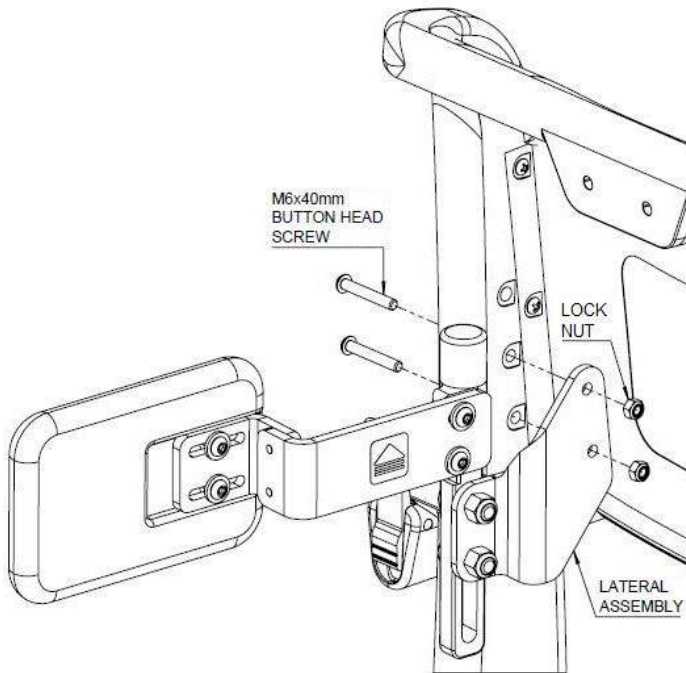
1. Remove the middle and bottom plugs from the backrest with a flat head screwdriver.



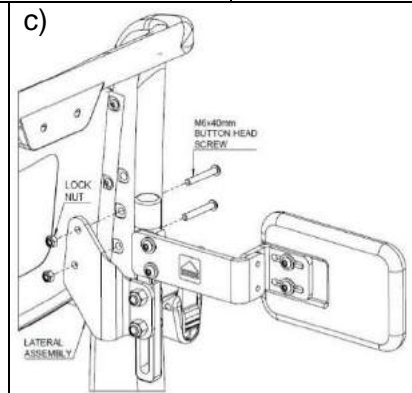
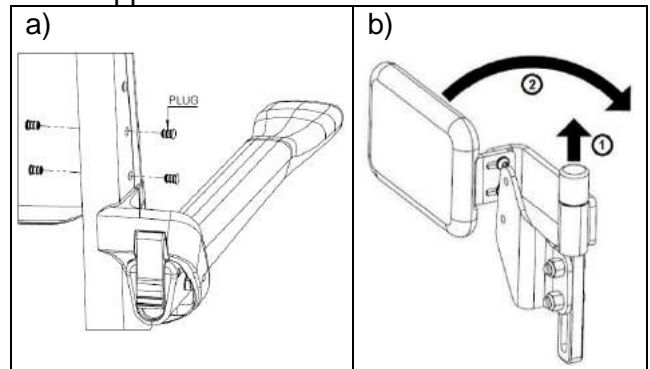
2. Lift and swing the lateral assembly back for ease of access during assembly.



3. Insert the two M6x40mm button head screws into the backrest and lateral assembly. Secure with lock nuts.



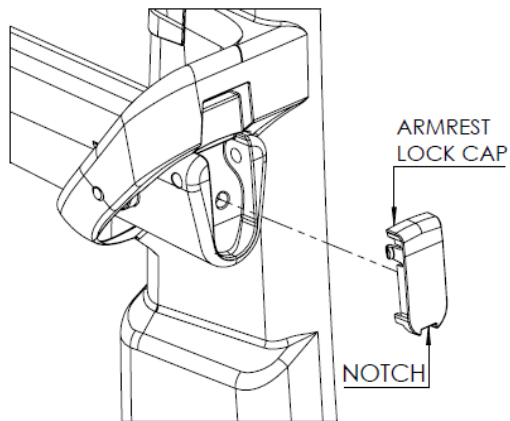
4. Repeat steps 1-3 for the other side if applicable.



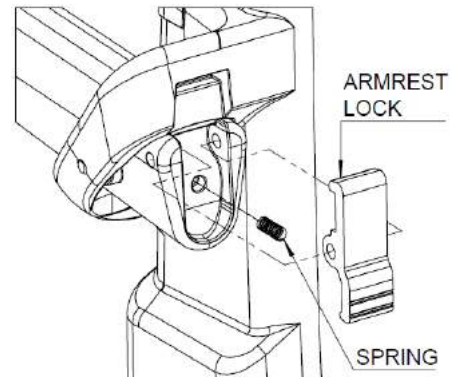
3.4 Armrest Lock Installation

Tools required: flat head screwdriver, hammer

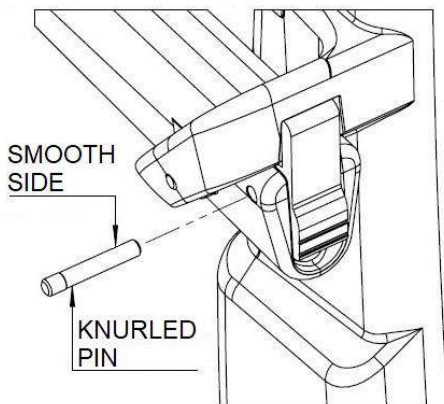
1. Remove the armrest lock cap by prying out with a flat head screwdriver at the notch.



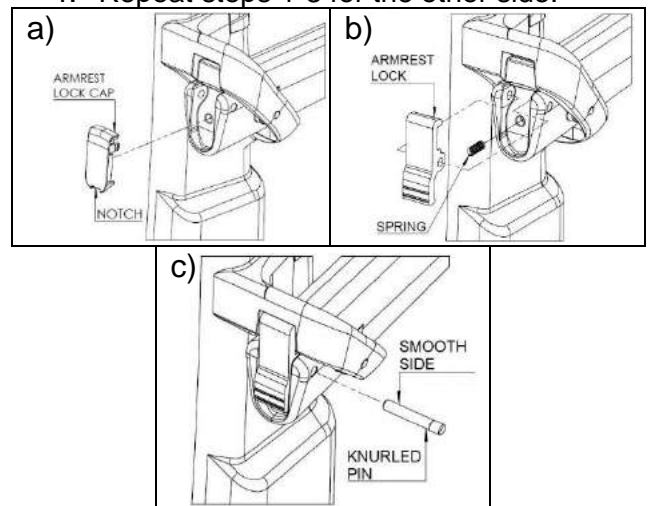
2. Place spring into the center hole of the arm and ensure the hole on the armrest lock is aligned with the top holes on the armrest.



3. Using a hammer, tap in the knurled pin through the arm and armrest lock, smooth side first. *Flip the arms up for better access to armrest.*



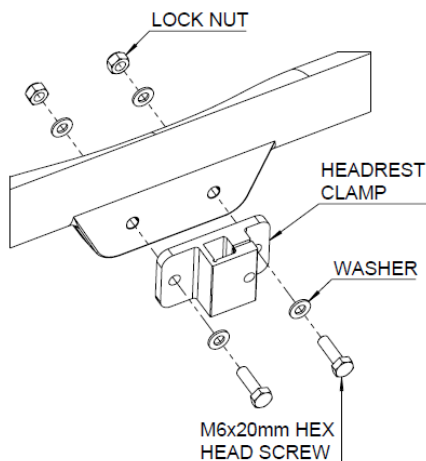
4. Repeat steps 1-3 for the other side.



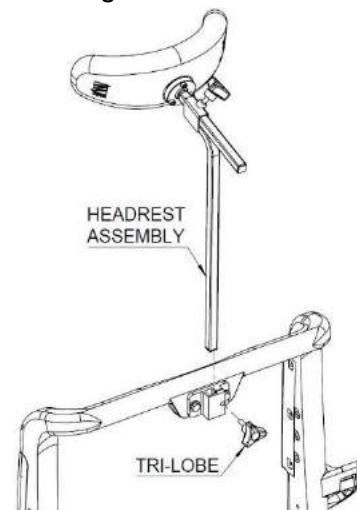
3.5 Headrest Installation

Tools required: (2) 10mm wrenches

1. Mount the headrest clamp. Insert the M6x20mm hex head screws with washers through the holes on the headrest clamp and backrest. Secure with washers and lock nuts.



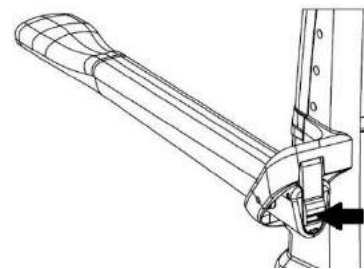
2. Insert the headrest assembly into the headrest clamp, adjust to the appropriate height and tighten the tri-lobe.



4.0 USE AND OPERATION

4.1 Standard / Locking Armrest

The armrests can be flipped up for ease of transfer. If locking armrests are ordered, the armrests will lock automatically when flipped down. Push the armrest lock in the back to disengage the locking mechanism.



4.2 Adjustable Footrests

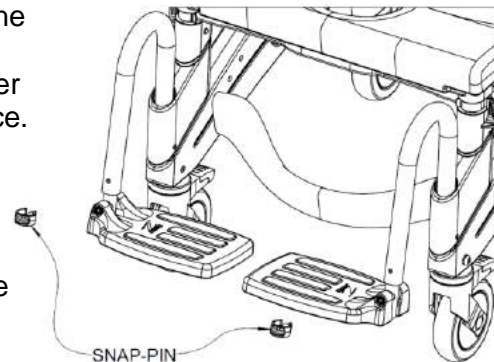
Adjustable Footrests are standard on the Jaz-AP. For transfers, the footrests can be flipped up, rotated away or removed entirely.

To insert the Adjustable Footrests:

1. Place the footrest hanger tubes into the footrest receivers on the base frame.
2. If the hanger tubes are aligned forward, the notch on the hanger tube will engage with the pin in the base frame and lock in place.

To adjust the length of the Adjustable Footrests:

1. Remove the snap-pin from the footrest hanger tube.
2. Reposition the footplate to a length suitable for the user.
3. Insert the snap-pin through the footrest hanger and through the inner tube.



To rotate the Adjustable Footrests:

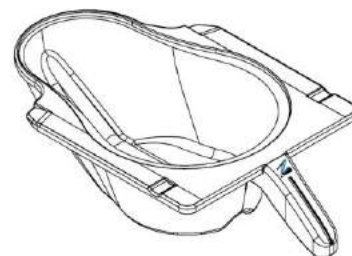
1. Lift the footrest hanger tubes to disengage the pin.
2. Rotate the footrests outward or inward.

To remove the Adjustable Footrests, lift the footrests out of the receivers on the base frame.

4.3 Commode Pan

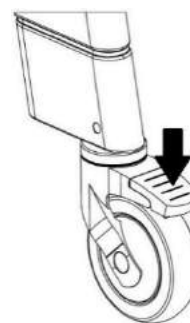
The commode pan is designed with an elongated shape that fits directly under the seat to minimize back splash. A unique splash-reduction ridge is located at the center of the pan. The high gloss surface facilitates cleaning and rinsing, while the pouring spout and handle facilitate emptying. Removal of the commode pan is achieved by sliding the pan rearward.

NOTE: When re-inserting the pan, ensure that the pan is guided into the green plastic brackets and pushed forward until it hits the stops.



4.4 Casters

Each Jaz-AP caster is equipped with a dual-lock feature, which stops the caster from swiveling and rolling simultaneously. To activate the dual-lock, step on the end of the caster brake lever until it latches in the “on” position. To deactivate the dual-lock, step on the raised end of the dual-lock until it latches in the “off” position.



5.0 CLEANING AND MAINTENANCE

5.1 Cleaning After Each Use

5.1.1 Commode Pan

1. Remove the commode pan and empty contents.
2. Wash the pan with a multi-purpose disinfectant cleaning solution. Use a soft brush if needed.
3. Rinse well before storage or re-use.

NOTE: A soapy hot water wash followed by a disinfectant spray can be substituted for a multi-purpose disinfectant cleaning solution.

5.1.2 Soft Jaz Seat (if ordered)

1. Spray with a multi-purpose disinfectant cleaner and scrub with a soft brush as required.
2. Rinse with a water spray and wipe dry before storage or re-use.
DO NOT IMMERSE the seat in water or cleaning solutions.
3. For a more thorough cleaning, remove the seat from the shower chair to allow better access to the underside of the seat and around the opening of the seat.

NOTE: If you did not order a soft seat but would like to have one, you can purchase one from any Raz dealer.

5.2 Cleaning As Needed

5.2.1 Frame, Armrests, Adjustable Footrests, and Other Components

1. Spray the frame and components with a multi-purpose disinfectant cleaner, scrub with a soft brush and rinse with water.

It is recommended to the user that a qualified Raz/Jaz dealer check over all fasteners and subassemblies on a continuing basis or if there is cause for concern to the shower chair's performance.

To reduce the risk of mildew buildup, the entire shower chair should be wiped down with a soft dry cloth after the final rinse and before storage or use.

The Jaz Mobile Shower Commode Chair must be stored in a dry and clean environment. Avoid exposure to chlorine (e.g. pools, etc), which will deteriorate and discolor the chair over time.

5.3 Suggested Cleaning Products

Task	Recommended Products
General Cleaning	Antibacterial Detergent
Surface Disinfecting	Oxiver TB (Virox Technologies Inc.)

IMPORTANT !

DO NOT USE ABRASIVE SCRUBBING POWDERS OR SCOURING PADS ON THE JAZ-AP.

DO NOT SUBMERGE THE JAZ-AP IN WATER.

RINSE THOROUGHLY AFTER CLEANING TO ENSURE THAT ANY SOAP OR DETERGENT RESIDUE IS REMOVED.

DO NOT USE CLEANING PRODUCTS WITHOUT CONSULTING THE PRODUCT'S INSTRUCTIONS AND TAKING APPROPRIATE PRECAUTIONS FOR HUMAN EXPOSURE TO CHEMICALS.

DO NOT USE CHLORINATED CLEANING PRODUCTS ON THE JAZ-AP.

6.0 LIMITED WARRANTY

This warranty is extended only to the original purchaser/user for Jaz-AP that have been purchased from a qualified Raz/Jaz dealer.

This warranty gives you specific legal rights, but you may have additional legal rights depending on your region and country.

This warranty shall be extended to comply with regional and national laws and requirements.

With regards to the original purchaser/user only, Raz Design Inc. warrants its base and back frame components to be free of defects in materials and workmanship for a period of two (2) years from the date of purchase. All other components on the Jaz-AP are covered for a period of one (1) year and are subject to normal wear and tear exclusions. If within such warranty period any such product shall be proven to be defective, the part will be repaired or replaced, at Raz Design's discretion. This warranty does not include any labor or shipping charges incurred in replacement, part installation, or repair of any such product.

For warranty service, please contact the dealer from whom you purchased your Jaz-AP. In the event that you do not received satisfactory warranty service, please contact Raz Design directly using the contact information located in either the beginning or end of the manual. In your correspondence please provide your dealer's name and address, the product type, the date of purchase, the chair's serial number (on a grey label located on the chair frame), as well as the nature of the product issue. Do not return products to the manufacturer without prior authorization.

Limitations and Exclusions:

The foregoing warranty shall not apply to serial numbered products if the serial number has been removed or defaced, and to products subjected to negligence or an accident. Improper operation, maintenance, or storage may void the warranty coverage on the Jaz-AP. The warranty does not apply to products modified without Raz Design's express written consent. This includes, but is not limited to, modification through the use of unauthorized parts or attachments, products damaged by reason of repairs made to any component by an individual or individuals who are not employed by a qualified Raz dealer, or to a product damaged by circumstances beyond Raz Design's control. Only Raz Design will have the authority to determine whether or not the circumstances are eligible for warranty coverage. The warranty will not apply to problems arising from normal wear or failure to adhere to the instructions contained in this manual.

The foregoing warranty is exclusive of any other warranties, whether expressed or implied, including the implied warranties of merchantability and fitness for a particular purpose. The sole remedy for violations of any warranty whatsoever will be limited to repair or replacement of the defective product in compliance to the terms contained in this document.

The application of any implied warranty shall not extend beyond the duration of the express warranty provided herein. Raz Design will not be liable for any consequential or incidental damages to part or whole of a Jaz-AP.

7.0 CONTACTS

It is important that the Jaz-AP be properly assembled and all adjustments be made carefully. Up-to-date manuals can be downloaded from www.razdesigninc.com. For clarification of any section of the manual, please contact your dealer or the manufacturer.

Raz Design Inc.
22 owden Rd. Toronto, Canada M1R 3E4
1.416.751.5678 / 1.877.720.5678 (USA)
info@razdesigninc.com

PRODUCTS THAT CAN NO LONGER BE USED ARE TO BE DISPOSED OF SEPARATELY FROM HOUSEHOLD WASTE. THIS MUST BE DONE ACCORDING TO THE LOCAL AND NATIONAL REGULATIONS FOR ENVIRONMENTAL PROTECTION AND RAW MATERIAL RECYCLING. PLEASE REFER TO YOUR LOCAL GOVERNMENT WEBSITE FOR FURTHER INFORMATION ON THE CORRECT DISPOSAL PROCESS.

IMPORTANT !

IT IS IMPORTANT TO CHECK YOUR CHAIR PRIOR TO EACH USE. ALL COMPONENTS INCLUDING THE BACKREST, ARMREST, SEAT FRAME AND BASE FRAME SHOULD BE SECURED IN PLACE. IF IT IS EVER FELT THAT ANY ASPECT OF THE JAZ-AP IS IN NEED OF MAINTENANCE, CONTACT YOUR DEALER. ANY PROBLEMS THAT COULD AFFECT THE SAFE USAGE OF THE CHAIR MUST BE ATTENDED TO IMMEDIATELY. THE DEALER/DISTRIBUTOR THAT PROVIDED THE SHOWER CHAIR MUST BE CONTACTED SO THAT REPAIRS CAN BE MADE PRIOR TO USING THE CHAIR. IT MUST BE MADE CLEAR TO THE DEALER/DISTRIBUTOR THAT THE SHOWER CHAIR IS IN NEED OF MAINTENANCE AND IS UNAVAILABLE FOR USE UNTIL REPAIRS HAVE BEEN UNDERTAKEN AND ALL PROBLEMS RESOLVED.

IF FOR ANY REASON, YOUR DEALER DOES NOT RESPOND TO YOUR SATISFACTION, PLEASE CONTACT RAZ DESIGN:

BY EMAIL: info@razdesigninc.com

**BY PHONE: 1.877.720.5678 Canada and U.S.A
1.416.751.5678 Other**